

English Classic

Burlington®

DESCRIPTION

English Classic 1350 Floor Standing Vanity – 4 Drawers, Matte White

PRODUCT CODE

ENG1350D4DB



FEATURES

- Dimensions - W 1350 x H 885 x D 500mm
- Available in 1130, 1350 or 1550mm widths – floor standing only.
- Available in single or double bowls – single bowl must be offset left or right.
- 25mm solid Kordura top with seamlessly integrated Inset basins.
- Cabinet features Edwardian design with Matte White paint finish or in your choice of matte or satin paint colour.
- Soft-close drawers.
- Traditional handles - available in Chrome, Satin Black, Antique Bronze or Antique Pewter.
- Matches perfectly with our Burlington range.
- Pair with the English Classic mirror unit and tall cabinet.

PAINT FINISH



Matte

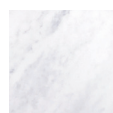


Custom
Colour
Matte

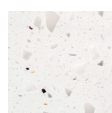
KORDURA TOP FINISHES



Matte



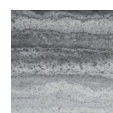
Carrera



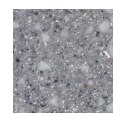
Ice



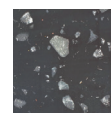
Ariston



Akashi



Peak



Black

HANDLE OPTIONS



Chrome



Antique Pewter

NOTES

See following page for technical drawings. Tapholes do not come with predrilled – this is the responsibility of the installer, and can be cut with a hole saw, jigsaw or router. Excludes tapware & accessories.

English Classic

Burlington®

DESCRIPTION

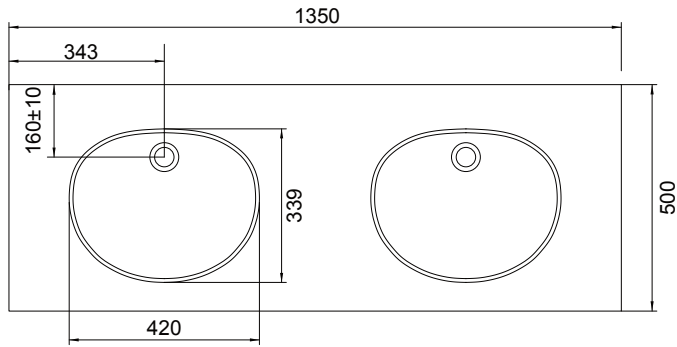
English Classic 1350 Floor Standing Vanity – 4 Drawers, Matte White

PRODUCT CODE

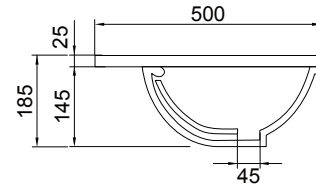
ENG1350D4DB

TECHNICAL DRAWINGS

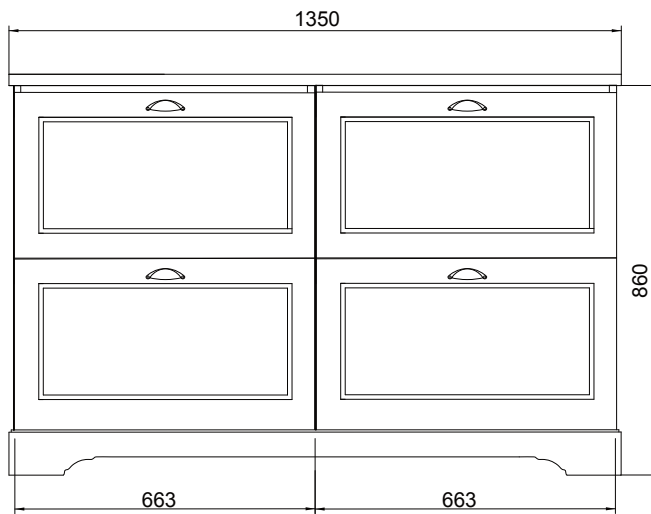
Top



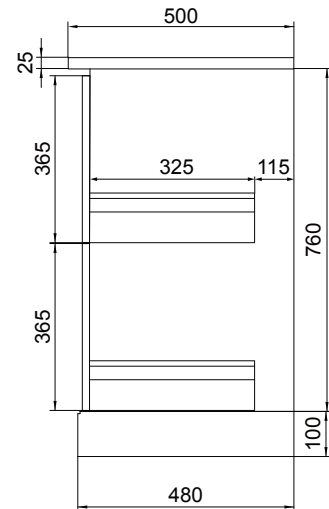
Side Section of Basin



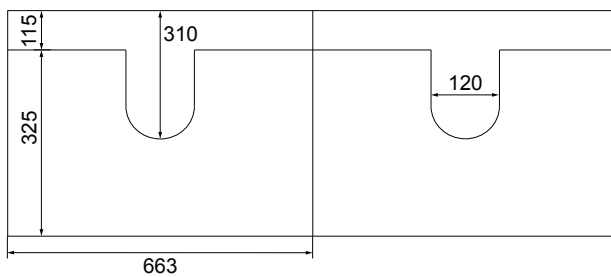
Front



Side



Top Section of Drawers



NOTES

Drawing indicates the technical measurement only and is not a reflection of how the unit will look. Sizes are nominal only. All drawings in millimeters. Drawings not to scale.