

Accessories

vcbc

DESCRIPTION

LED Mirror Light, 500mm

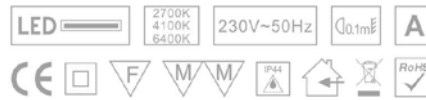
PRODUCT CODE

2995.514

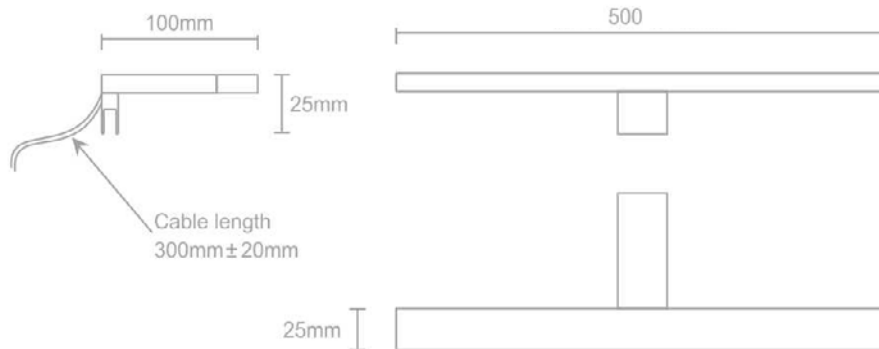


FEATURES

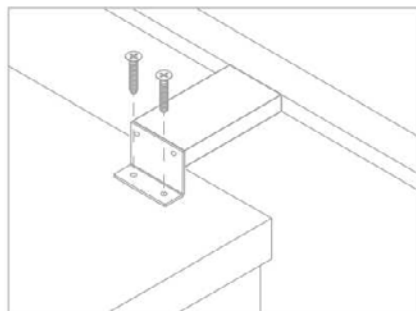
- Dimensions - W 500 x H 100 x D 25 mm
- Install on mirror cabinets
- Fitted with a built-in driver, for direct mains connection
- T-bar shape, long head of the fitting ensures an even illumination across the mirror front
- Aluminium and acrylic cover material, chrome finish
- Cool white colour temperature, 4100K
- 6W / 230V / 300LM
- IP44 rated conforms to CE and ROHS standards



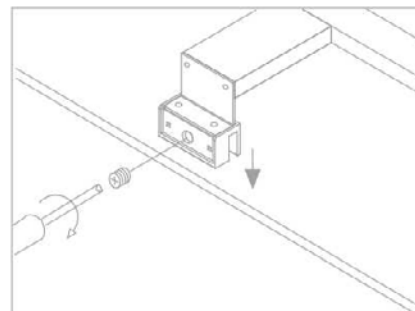
TECHNICAL DRAWINGS



INSTALLATION



E. Surface



C. Mirror

NOTES

Drawing indicates the technical measurement only and is not a reflection of how the unit will look. Sizes are nominal only. All drawings in millimeters. Drawings not to scale. August 2019.