

# Accessories

vcbc

## DESCRIPTION

LED Mirror Light, 800mm

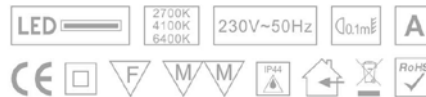
## PRODUCT CODE

2995.814

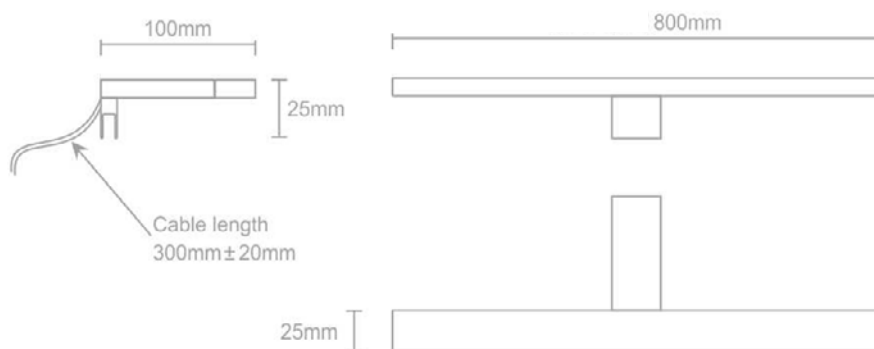


## FEATURES

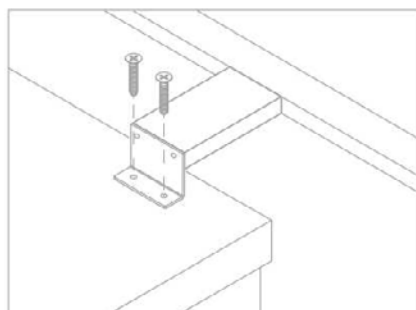
- Dimensions - W 800 x H 100 x D 25 mm
- Install on mirror cabinets
- Fitted with a built-in driver, for direct mains connection
- T-bar shape, long head of the fitting ensures an even illumination across the mirror front
- Aluminium and acrylic cover material, chrome finish
- Cool white colour temperature, 4100K
- 10W / 230V / 500LM
- IP44 rated conforms to CE and ROHS standards



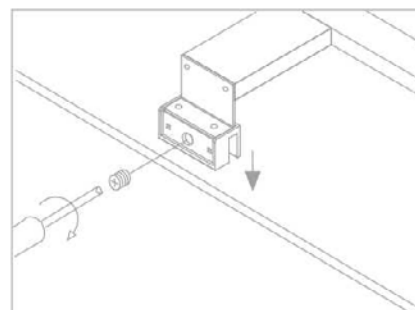
## TECHNICAL DRAWINGS



## INSTALLATION



E. Surface



C. Mirror

## NOTES

Drawing indicates the technical measurement only and is not a reflection of how the unit will look. Sizes are nominal only. All drawings in millimeters. Drawings not to scale. August 2019.