

B Shower Bath Left /



DESCRIPTION

B Shower Bath Left

PRODUCT CODE

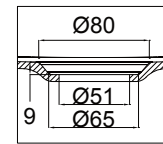
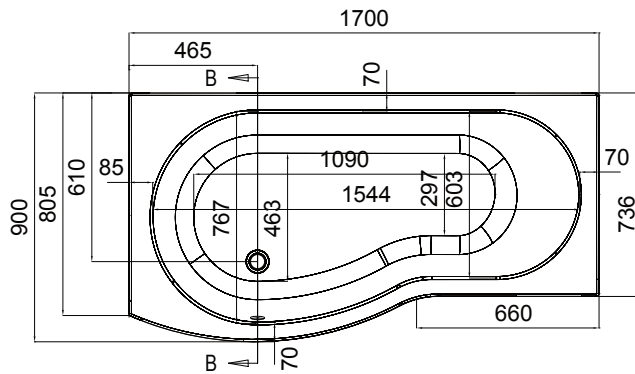
1B1.1013



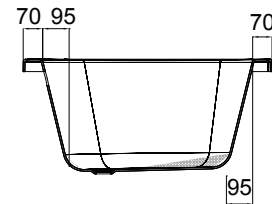
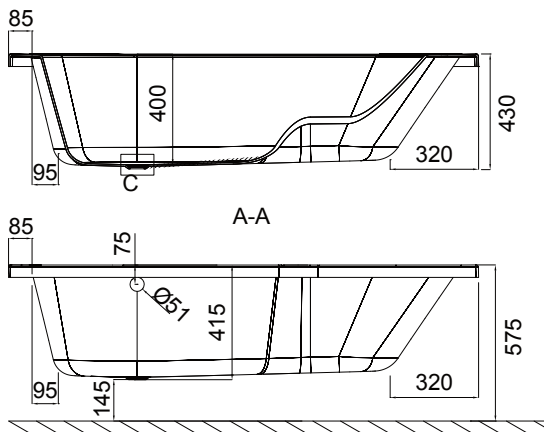
Dimensions	W 1700 x H 430* x D 900 (mm)
Material	Acrylic (White Gloss Finish) with 8 mm steel rod and Cleargreen reinforcement
Weight	28.75 kg
Water Capacity	200 L*
Displaced Capacity	130 L**
Included	1x B Bath Left, Overflow & Pop-Up Waste, 1x Upstand Long & 1x Upstand Short.
Features	<ul style="list-style-type: none"> • An acrylic composition with excellent thermal properties retains heat and is warm to touch. • Left or Right Side Option

TECHNICAL DRAWINGS

Top Down



Side



NOTES

*Volume of water contained in the bath if filled to the overflow. **Volume of water contained in the bath if filled to the overflow, less 70 litres to allow for an average-sized person in the bath. Drawing indicates the technical measurement only and is not a reflection of how the product will look. Sizes are nominal only. All drawings in millimeters. Drawings not to scale. 3rd April 2025.