

# ENGLISH CLASSIC MINI /

Burlington®

## DESCRIPTION

English Classic Mini Wall Hung - 1 Door

## PRODUCT CODE

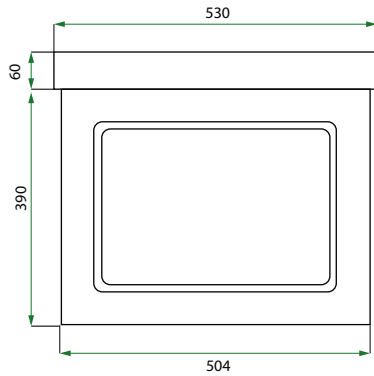
ENGMINI / ENGMINICC



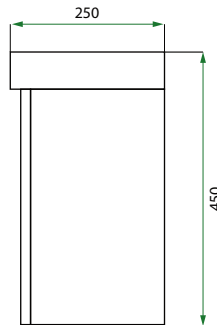
<b>Dimensions</b>	W 530	x H 450	x D 250	(mm)
<b>Finishes</b>	Matte English White or Matte Custom Colour*			
<b>Top</b>	Ceramic top with integrated basin & right taphole.			
<b>Pull Handle</b>	Polished Chrome, Satin Black, Antique Bronze or Antique Pewter			
<b>Origin</b>	New Zealand made cabinetry			
<b>Features</b>	<ul style="list-style-type: none"><li>• 1 Door, wall hung vanity</li><li>• Traditional style plinth</li><li>• Edwardian detailing</li><li>• Ceramic top with integrated basin</li><li>• Right taphole orientation</li></ul>			

## TECHNICAL DRAWINGS

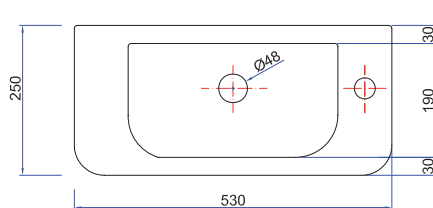
Front



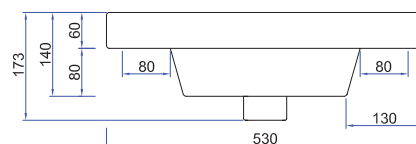
Side



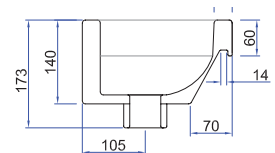
Top Down



Basin Front



Basin Side Section



## NOTES

\*Additional Cost. Accessories not included. Drawing indicates the technical measurement only and is not a reflection of how the product will look. Sizes are nominal only. All drawings in millimeters. Drawings not to scale. July 2024.