

# FLOATING SHELF /

# LAUNDRY

## DESCRIPTION

Modern Laundry Floating Shelf 450

## PRODUCT CODE

LS45 / LS45T / LS45CC



**Dimensions** W 450 x H 25 x D 270 (mm)

**Finishes** White Gloss Paint, Timber Veneer\* or Custom Colour\* Paint.

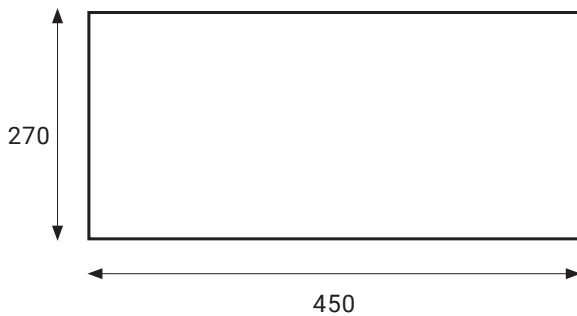
**Origin** New Zealand made cabinetry.

**Features**

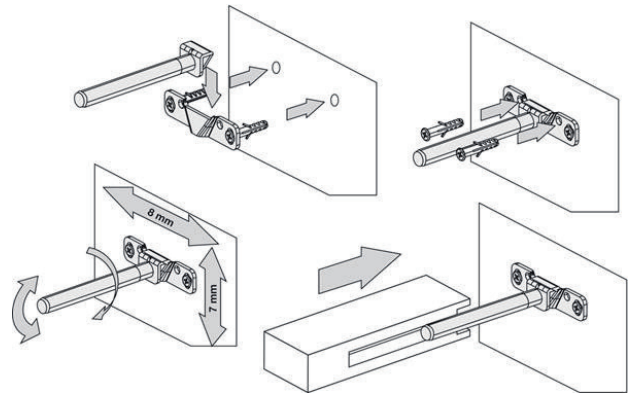
- The paint used on our products is polyurethane or UV based. Our high-tech process means each panel is painted and heated at least five times, for our signature hard paint finish.
- Timber veneer finishes are 100% natural, so each have variations in grain and colour. All come stained and sealed with a protective UV finish.

## TECHNICAL DRAWINGS

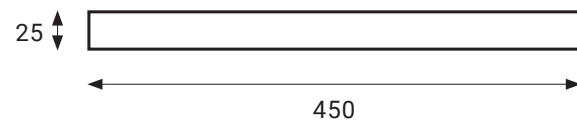
Top



Fixing Mechanism



Front



## NOTES

\*Additional Cost. Accessories not included. See our website for product prices. Drawing indicates the technical measurement only and is not a reflection of how the product will look. Sizes are nominal only. All drawings in millimeters. Drawings not to scale. Oct 2024.