

## DESCRIPTION

Opal Freestanding Bath in Acrylic Gloss White

## PRODUCT CODE

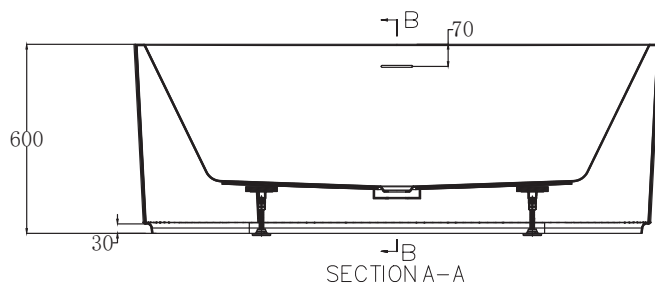
HY747GO



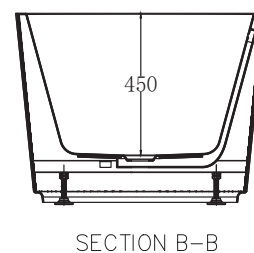
<b>Dimensions</b>	W 1670 x H 600 x D 790 (mm)
<b>Material</b>	Acrylic (Gloss White Finish)
<b>Weight</b>	40kg
<b>Water Capacity</b>	266L*
<b>Displaced Capacity</b>	196L**
<b>Included</b>	Overflow and waste
<b>Features</b>	<ul style="list-style-type: none"> <li>• An acrylic composition with excellent thermal properties, Opal is able to retain heat and is warm to touch.</li> <li>• Freestanding, double-ended bath with fluted design detail.</li> </ul>

## TECHNICAL DRAWINGS

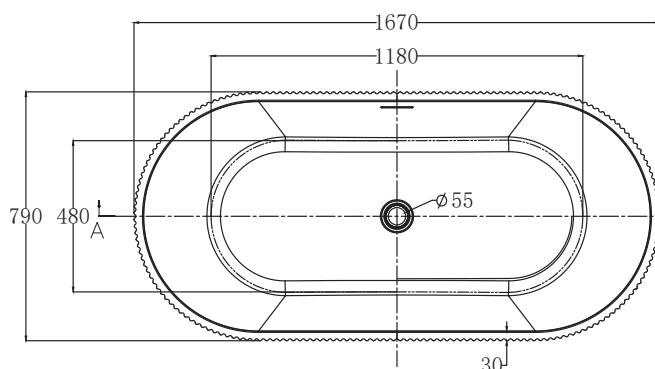
### Side Section



### Front Section



### Top Down



## NOTES

\*Volume of water contained in the bath if filled to the overflow. \*\*Volume of water contained in the bath if filled to the overflow, less 70 litres to allow for an average-sized person in the bath. Drawing indicates the technical measurement only and is not a reflection of how the product will look. Sizes are nominal only. All drawings in millimeters. Drawings not to scale. July 2024.