

DESCRIPTION

Opal Freestanding Bath in Acrylic Matte White

PRODUCT CODE

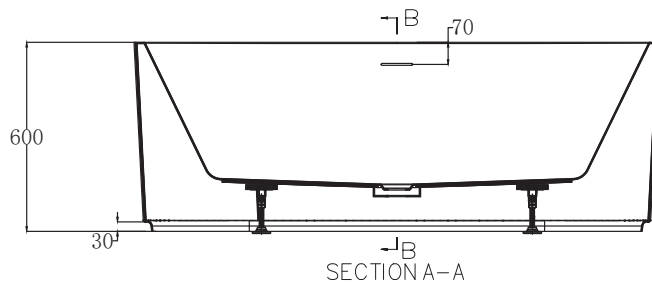
HY747MO



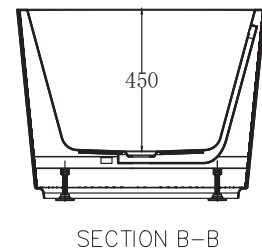
Dimensions	W 1670 x H 600 x D 790 (mm)
Material	Acrylic (Matte White Finish)
Weight	40kg
Water Capacity	266L*
Displaced Capacity	196L**
Included	Overflow and waste
Features	<ul style="list-style-type: none"> • An acrylic composition with excellent thermal properties, Opal is able to retain heat and is warm to touch. • Freestanding, double-ended bath with fluted design detail.

TECHNICAL DRAWINGS

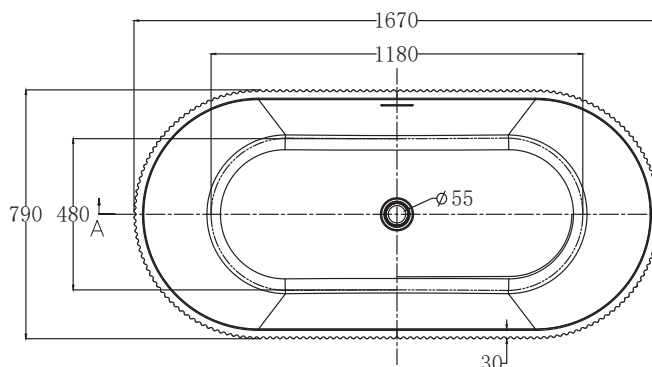
Side Section



Front Section



Top Down



NOTES

*Volume of water contained in the bath if filled to the overflow. **Volume of water contained in the bath if filled to the overflow, less 70 litres to allow for an average-sized person in the bath. Drawing indicates the technical measurement only and is not a reflection of how the product will look. Sizes are nominal only. All drawings in millimeters. Drawings not to scale. July 2024.