

# OVO PREMIER /

# Michel César

## DESCRIPTION

Ovo Premier 600, 2 Drawers Floor-Standing Vanity with Urban Ceramic Top

## PRODUCT CODE

OVO60D2FLT / OVO60D2FLTP

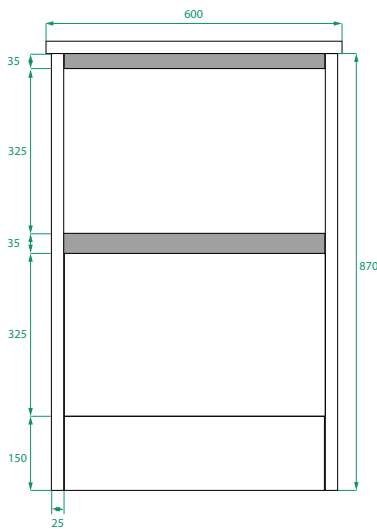


<b>Dimensions</b>	W 600 x H 900 x D 460 (mm)
<b>Finishes</b>	Timber Veneer or Duo Tone (Matte Custom painted sides & Timber Veneer drawer fronts).
<b>Basin</b>	Urban Ceramic top (H 30) with integrated basin
<b>Handle</b>	Handleless 45° design.
<b>Origin</b>	New Zealand made cabinetry.
<b>Features</b>	<ul style="list-style-type: none"><li>• Soft rounded corners &amp; 2 drawers floor-standing.</li><li>• Ceramic top with intergrated basin</li><li>• The paint used on our products is polyurethane or UV based. Timber Veneer finish is 100% natural, with natural variations in colour &amp; grain.</li></ul>

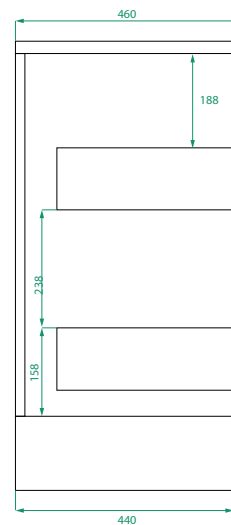
Example of 1050 in white

## TECHNICAL DRAWINGS

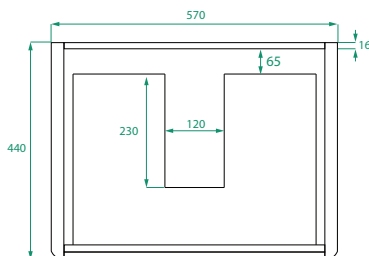
### Front



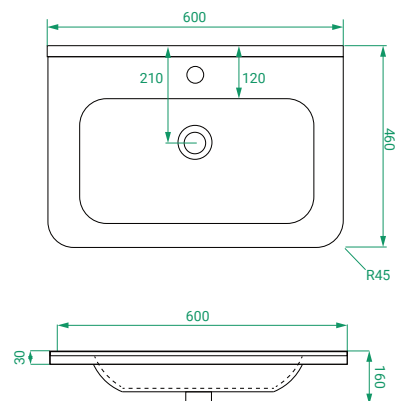
### Side



### Drawers



### Ceramic Top



## NOTES

Accessories not included. Drawing indicates the technical measurement only and is not a reflection of how the product will look. Sizes are nominal only. All drawings in millimeters. Drawings not to scale. July 2024.