

OVO PREMIER /

Michel César

DESCRIPTION

Ovo Premier 800, 2 Drawers Floor-Standing Vanity with Urban Ceramic Top

PRODUCT CODE

OVO80D2FLT / OVO80D2FLTP

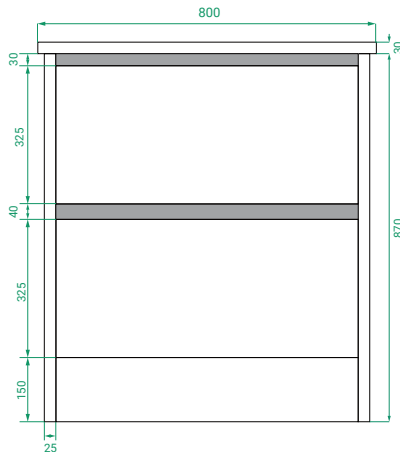


Dimensions	W 800 x H 900 x D 460 (mm)
Finishes	Timber Veneer or Duo Tone (Matte Custom painted sides & Timber Veneer drawer fronts).
Basin	Urban Ceramic top (H 30) with integrated basin
Handle	Handleless 45° design.
Origin	New Zealand made cabinetry.
Features	<ul style="list-style-type: none">• Soft rounded corners & 2 drawers floor-standing.• Ceramic top with intergrated basin• The paint used on our products is polyurethane or UV based. Timber Veneer finish is 100% natural, with natural variations in colour & grain.

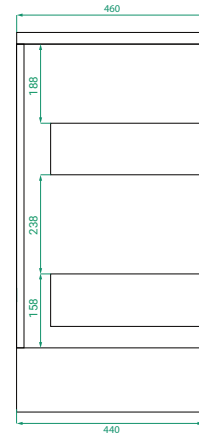
Example of 1050 in white

TECHNICAL DRAWINGS

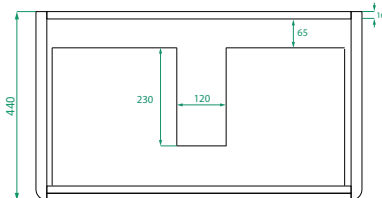
Front



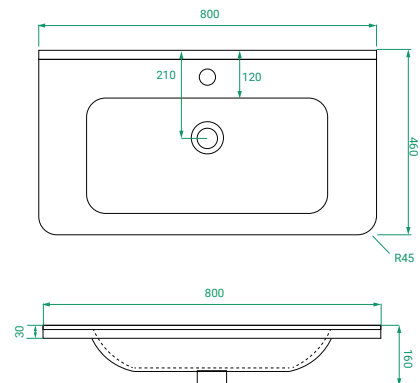
Side



Drawers



Ceramic Top



NOTES

Accessories not included. Drawing indicates the technical measurement only and is not a reflection of how the product will look. Sizes are nominal only. All drawings in millimeters. Drawings not to scale. July 2024.