

DESCRIPTION

Peace D-Shaped Back-to-Wall Bath in Acrylic Gloss White

PRODUCT CODE

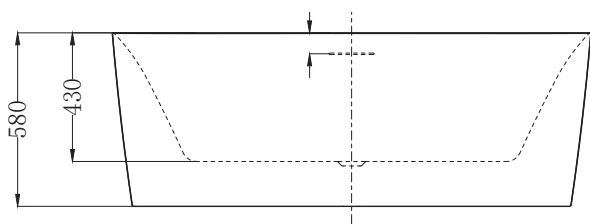
HY694GO



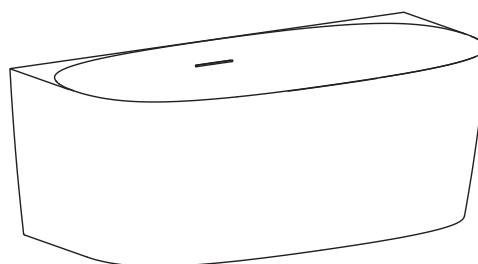
Dimensions	W 1600 x H 590 x D 750 (mm)
Material	Acrylic (Gloss White Finish)
Weight	40kg
Water Capacity	273L*
Displaced Capacity	203L**
Included	Overflow and waste
Features	<ul style="list-style-type: none"> • An acrylic composition with excellent thermal properties, Peace is able to retain heat and is warm to touch. • Back-to-wall, double-ended bath with D-Shape design.

TECHNICAL DRAWINGS

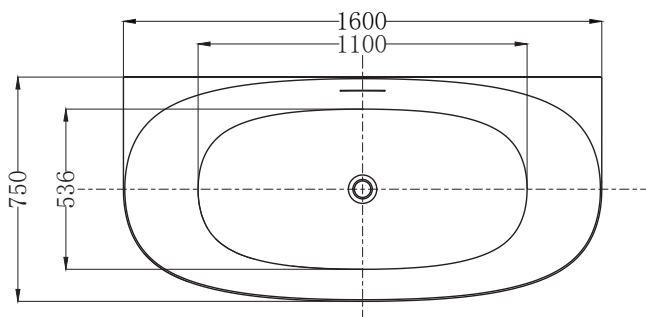
Side Section



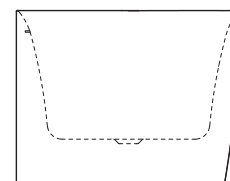
Front



Top Down



Front Section



NOTES

*Volume of water contained in the bath if filled to the overflow. **Volume of water contained in the bath if filled to the overflow, less 70 litres to allow for an average-sized person in the bath. Drawing indicates the technical measurement only and is not a reflection of how the product will look. Sizes are nominal only. All drawings in millimeters. Drawings not to scale. July 2024.

DESCRIPTION

Peace D-Shaped Back-to-Wall Bath in Acrylic Matte White

PRODUCT CODE

HY694MO

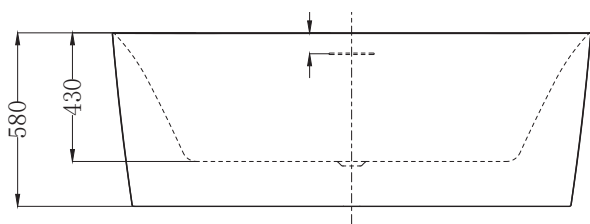


Gloss bath pictured.

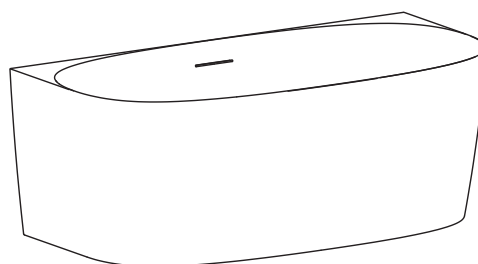
Dimensions	W 1600 x H 590 x D 750 (mm)
Material	Acrylic (Matte White Finish)
Weight	40kg
Water Capacity	273L*
Displaced Capacity	203L**
Included	Overflow and waste
Features	<ul style="list-style-type: none"> • An acrylic composition with excellent thermal properties, Peace is able to retain heat and is warm to touch. • Back-to-wall, double-ended bath with D-Shape design.

TECHNICAL DRAWINGS

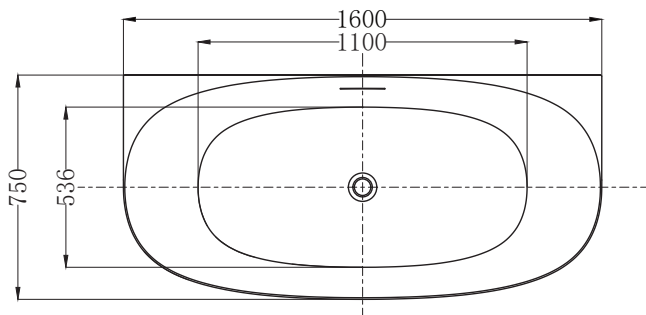
Side Section



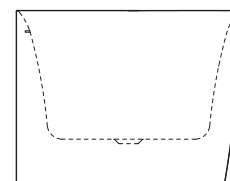
Front



Top Down



Front Section



NOTES

*Volume of water contained in the bath if filled to the overflow. **Volume of water contained in the bath if filled to the overflow, less 70 litres to allow for an average-sized person in the bath. Drawing indicates the technical measurement only and is not a reflection of how the product will look. Sizes are nominal only. All drawings in millimeters. Drawings not to scale. July 2024.