

PEITIE STAINLESS SINK / LAUNDRY

DESCRIPTION

Petite Stainless Steel Inset Laundry Sink

PRODUCT CODE

4045



Sink Dimensions W 400 x H 220 x D 450 (mm)

Inset Dimensions W 350 x H 245 x D 400 (mm)

Water Capacity 24L (to overflow) 29L (to top)

Finish Stainless Steel

Material Stainless Steel 304

Waste Basket Waste Included

Sink Type Inset laundry sink

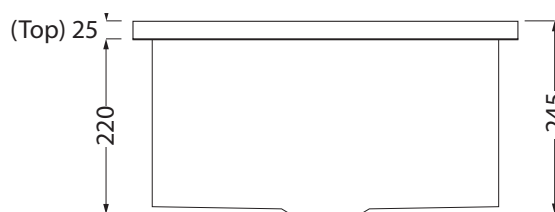
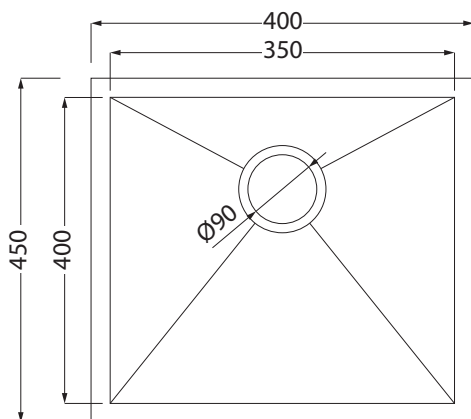
Features

- Stainless sink is undermounted to Kordura top.
- Our high-grade Stainless Steel laundry sinks are durable, water, heat, and stain resistant. Easy care and very hygienic.
- Not compatible with Accessory Cabinets.

TECHNICAL DRAWINGS

Top Down

Side Section (Inset)



NOTES

Not sold separately. Tapware & accessories not included. Drawing indicates the technical measurement only and is not a reflection of how the product will look. Sizes are nominal only. All drawings in millimeters. Drawings not to scale. October 2024.