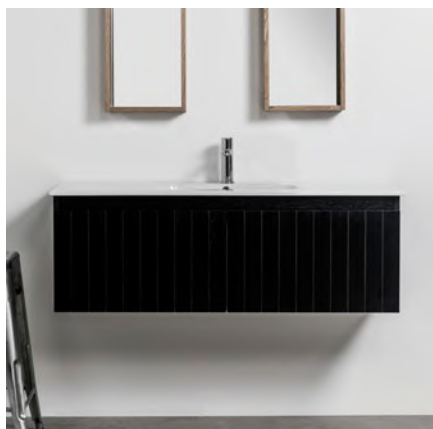


## DESCRIPTION

Qubo 1200 Wall-Hung Vanity, 1 Drawer, Vertical Grooves, White / Timber Veneer

## PRODUCT CODE

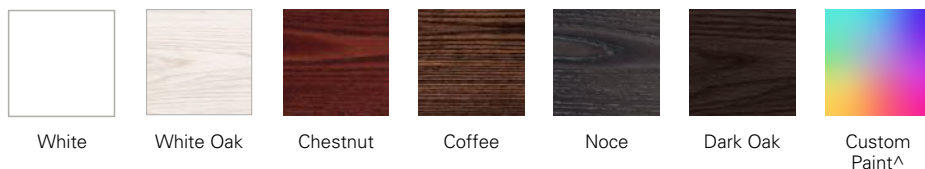
QU120DWHVG / QU120DWHTVG



## FEATURES

- Dimensions - W 1215 x H 415 x D 470mm
- Available in painted White, Timber Veneer\*, or your choice of paint colour.^
- Vertical Grooves available in White Paint (Gloss), White Oak, Chestnut, Coffee, Noce and Dark Oak Timber Veneers.
- The paint used on our products is polyurethane or UV based. It is five times harder and more durable than lacquer finishes.
- Timber veneer finishes are 100% natural, so each have variations in grain and colour. All come stained and sealed with a protective UV finish.
- Soft-close drawers.
- Italian-made, ceramic top. NZ-made cabinetry.

## PAINT / TIMBER VENEER\* FINISHES



## AVAILABLE IN OTHER COMBINATIONS



Contrasting Rail  
in White / Timber Veneer  
**(CT)**



Vertical Grooves  
in White / Timber Veneer  
**(VG / TVG)\*\***



Timber Veneer Cabinet  
with Painted Drawer  
**(PT)**



Painted Cabinet with  
Timber Veneer Drawer  
**(PTD)**

## NOTES

Please see reverse for technical drawings. \*Non-stock item. ^15% surcharge applies for custom paint colours, 25% for metallic and black. \*\*Vertical Grooves only available in White Paint, White Oak, Chestnut, Coffee, Noce and Dark Oak Timber Veneer. September 2019.

## DESCRIPTION

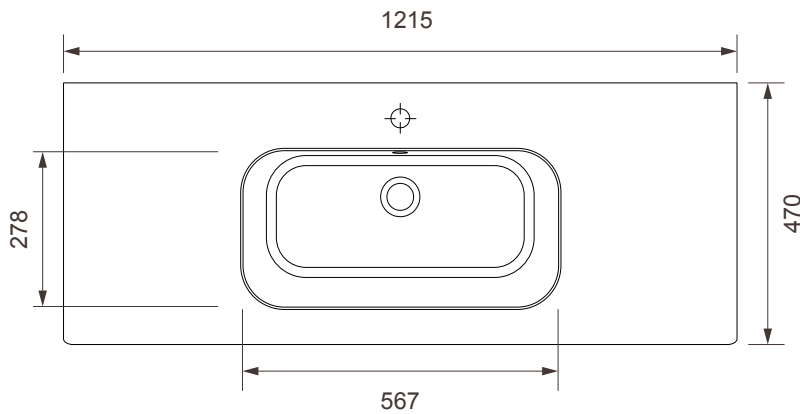
Qubo 1200 Wall-Hung Vanity, 1 Drawer, Vertical Grooves, White / Timber Veneer

## PRODUCT CODE

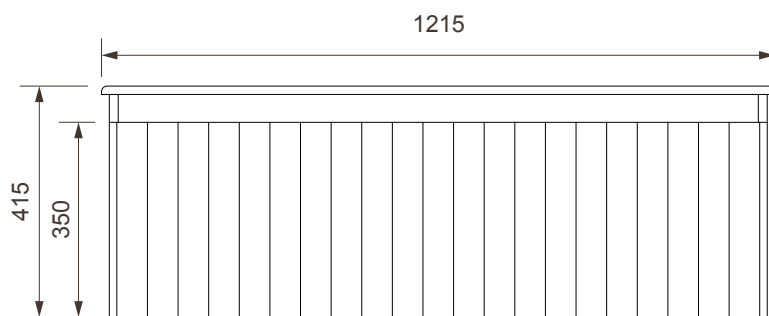
QU120DWHVG / QU120DWHTVG

## TECHNICAL DRAWINGS

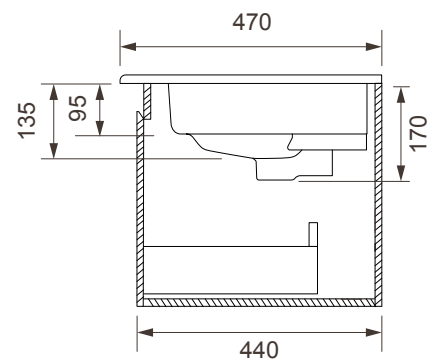
Top



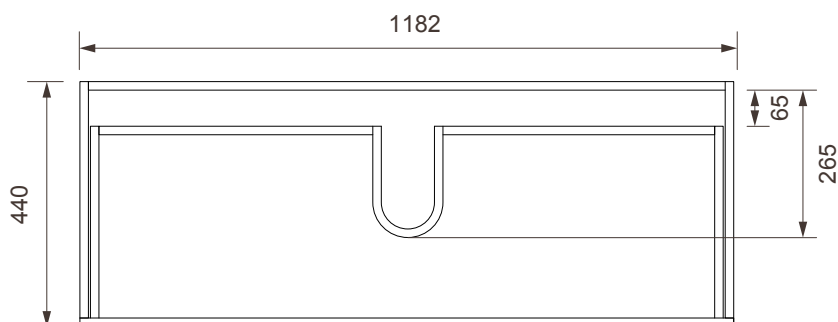
Front



Side Section



Top Section of Drawer



## NOTES

Drawing indicates the technical measurement only and is not a reflection of how the unit will look. Sizes are nominal only. All drawings in millimeters. Drawings not to scale.