

Square Shower Bath Package /



DESCRIPTION

Square Shower Bath Package - Right

PRODUCT CODE

SQBATH17R

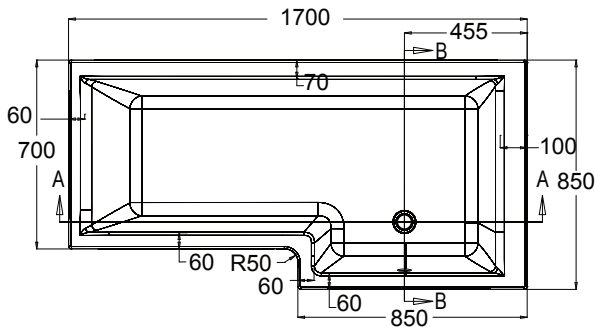


Dimensions	W 1700 x H 433* x D 850 (mm)
Material	Acrylic (White Gloss Finish) with 8mm steel rod and Cleargreen reinforcement
Weight	31.75 kg
Water Capacity	235 L*
Displaced Capacity	165 L**
Included	2x Upstand, 1x Liner, 1x Screen, 1x Front Panel, 1x End Panel, Overflow, Pop-Up Waste & Glue Pack.
Features	<ul style="list-style-type: none"> • An acrylic composition with excellent thermal properties retains heat and is warm to touch. • Left or Right Side Option

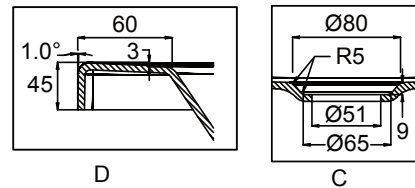
TECHNICAL DRAWINGS

Square Shower Bath Right
1B1.1012

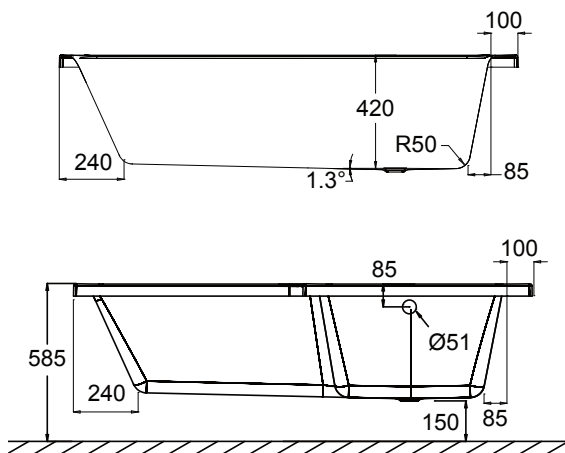
Top



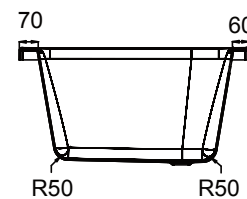
Back



Side



End



NOTES

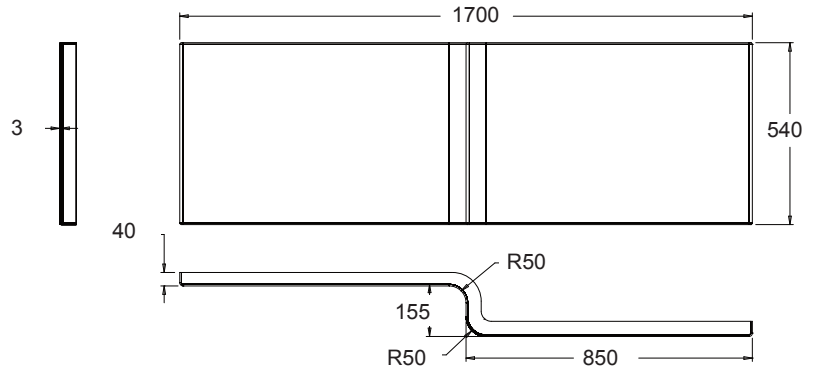
*Volume of water contained in the bath if filled to the overflow. **Volume of water contained in the bath if filled to the overflow, less 70 litres to allow for an average-sized person in the bath. Drawing indicates the technical measurement only and is not a reflection of how the product will look. Sizes are nominal only. All drawings in millimeters. Drawings not to scale. August 2024.

Square Shower Bath Package /

PACKAGE COMPONENTS CONTINUED

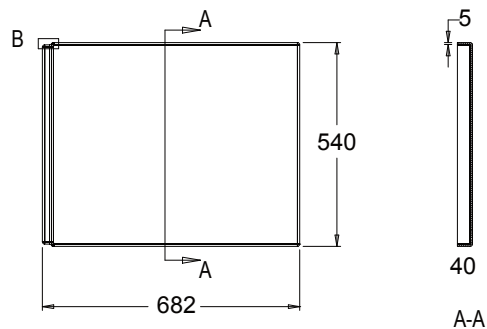
Shower Bath Front Panel
1B1.1144

Dimensions W 1700 x H 540 x D 40 (mm)
Material Acrylic reinforced with GRP



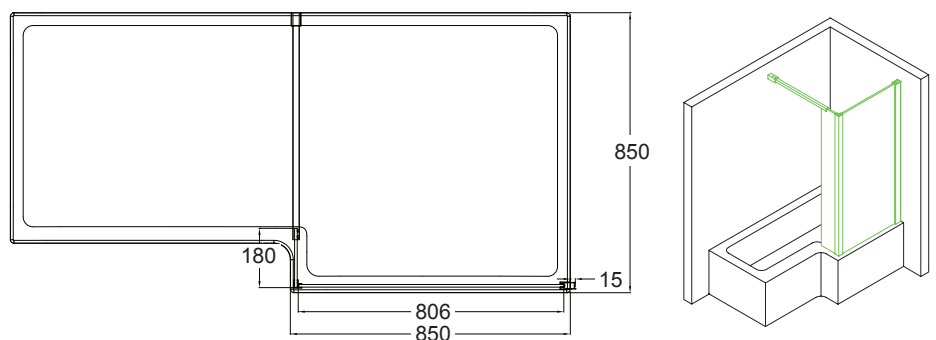
Shower Bath End Panel
1B1.1145

Dimensions W 680 x H 540 x D 40 (mm)
Material Acrylic reinforced with GRP



Shower Bath Screen (Fixed)
2A1.1206

Dimensions W 850 x H 1550 (mm)
Material Aluminium alloy profile with safety glass.
Safety glass with 3M easy clean coating.
Screen opens both inwards and outwards.



NOTES

Acrylic upstands also available in long (over 1200mm) and short (less than 1200mm) at an additional cost. Install all screens on flat edge baths only. Drawing indicates the technical measurement only and is not a reflection of how the unit will look. Sizes are nominal only. All drawings in millimeters. Drawings not to scale. August 2024.