

## DESCRIPTION

Soft 1000, 2 Drawer, Wall Hung Vanity

## PRODUCT CODE

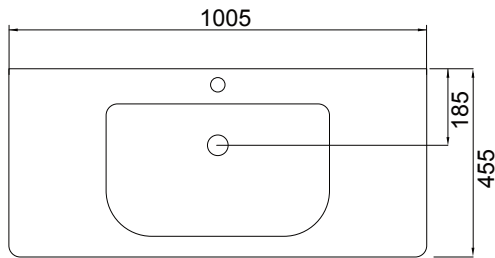
FT100D2WH / FT100D2WHM



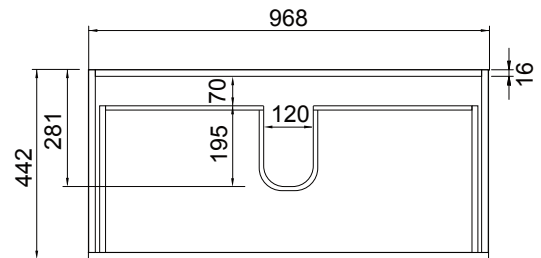
- Dimensions** W 1005 x H 620 x D 455 (mm)
- Finishes** White Gloss Paint or Melamine
- Basin** Ceramic Integrated Basin & Overflow
- Handle** Handleless Design with Matching Rail (White Gloss or Melamine), or Contrasting Silver or Black Aluminium Rail. Optional pull handle available at additional cost.
- Origin** New Zealand made cabinetry.
- Features**
- 2 Drawers with soft-close and deeper storage.
  - Melamine is a wood look, low-pressure laminate.
  - White Paint - The paint used on our products is polyurethane or UV based. It is harder and more durable than lacquered finishes.

## TECHNICAL DRAWINGS

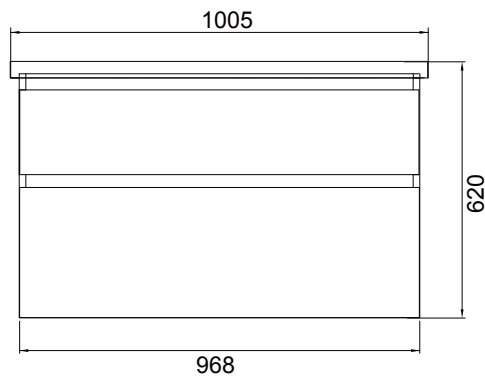
Top Down



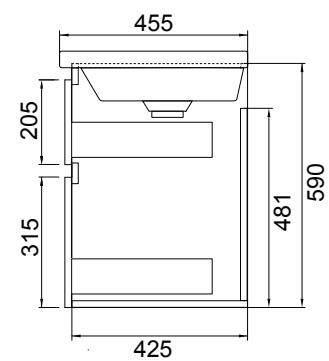
Drawers



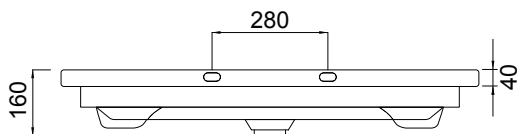
Front



Side Section



Basin Side



## NOTES

\*Additional Cost. Accessories not included. Drawing indicates the technical measurement only and is not a reflection of how the product will look. Sizes are nominal only. All drawings in millimeters. Drawings not to scale. August 2023.