

## DESCRIPTION

Soft 650, 2 Drawer, Wall-Hung Vanity

## PRODUCT CODE

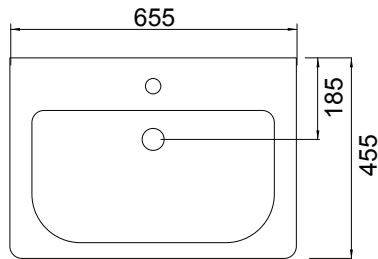
FT65D2WH / FT65D2WHM



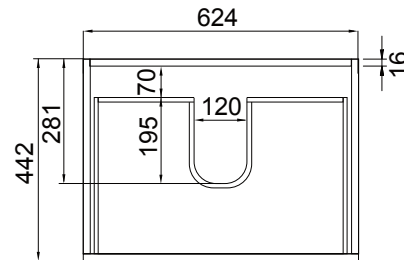
<b>Dimensions</b>	<b>W 655</b>	<b>x H 620</b>	<b>x D 455</b>	<b>(mm)</b>
<b>Finishes</b>	White Gloss Paint or Melamine			
<b>Basin</b>	Ceramic Integrated Basin & Overflow			
<b>Handle</b>	Handleless Design with Matching Rail (White Gloss or Melamine), or Contrasting Silver or Black Aluminium Rail. Optional pull handle available at additional cost.			
<b>Origin</b>	New Zealand made cabinetry.			
<b>Features</b>	<ul style="list-style-type: none"> <li>• 2 Drawers with soft-close and deeper storage.</li> <li>• Melamine is a wood look, low-pressure laminate.</li> <li>• White Paint - The paint used on our products is polyurethane or UV based. It is harder and more durable than lacquered finishes.</li> </ul>			

## TECHNICAL DRAWINGS

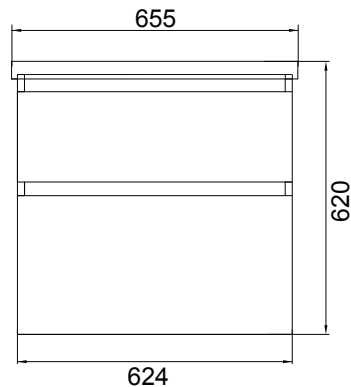
Top Down



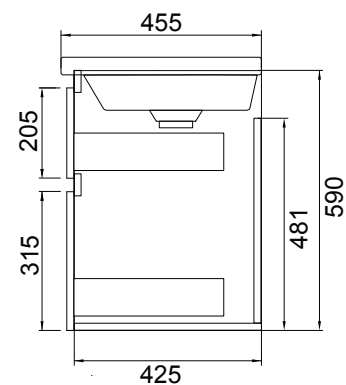
Drawers



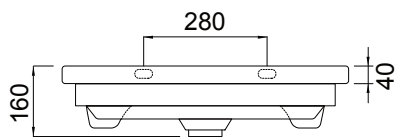
Front



Side Section



Basin Side



## NOTES

\*Additional Cost. Accessories not included. Drawing indicates the technical measurement only and is not a reflection of how the product will look. Sizes are nominal only. All drawings in millimeters. Drawings not to scale. August 2023.