

## DESCRIPTION

Splash 900, 1 Drawer, Wall-Hung.

## PRODUCT CODE

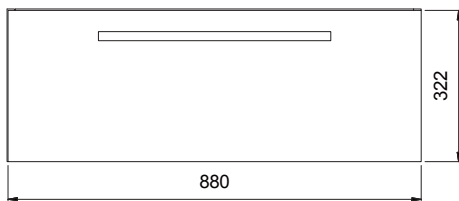
SP90DWH / SP90DWHM



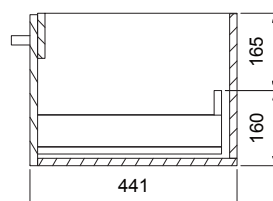
<b>Dimensions</b>	W 900 x H 425 x D 450 (mm)
<b>Finishes</b>	White Gloss Paint or Melamine.
<b>Basin</b>	Polymarble (Acrylic) top with intergrated basin
<b>Handle</b>	Chrome Box Handle, Black Handle, Chrome Handle or Chrome Mini Handle.
<b>Origin</b>	New Zealand made cabinetry.
<b>Features</b>	<ul style="list-style-type: none"> <li>• Extra thick polymarble top with bold design</li> <li>• 1 Drawer with soft-close, wall-hung.</li> <li>• Polymarble acrylic top with intergrated basin</li> <li>• Wood look Melamine, is a low-pressure laminate.</li> <li>• The paint used on our products is polyurethane or UV based.</li> </ul>

## TECHNICAL DRAWINGS

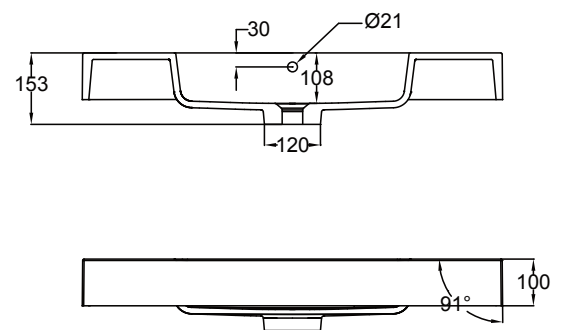
Front



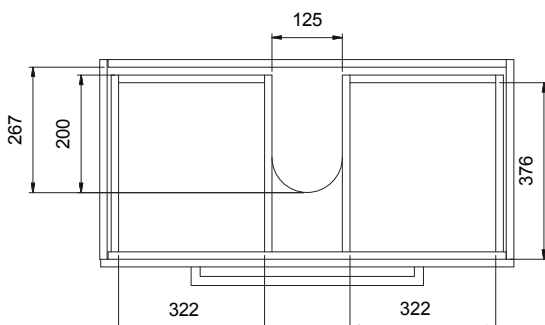
Side



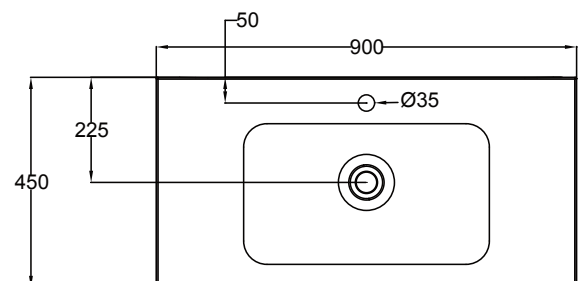
Top Side View



Drawers



Top Down



## NOTES

\*Additional Cost. Accessories not included. Drawing indicates the technical measurement only and is not a reflection of how the product will look. Sizes are nominal only. All drawings in millimeters. Drawings not to scale. August 2024.