

DESCRIPTION

Stainless Steel Inset Laundry Sink

PRODUCT CODE

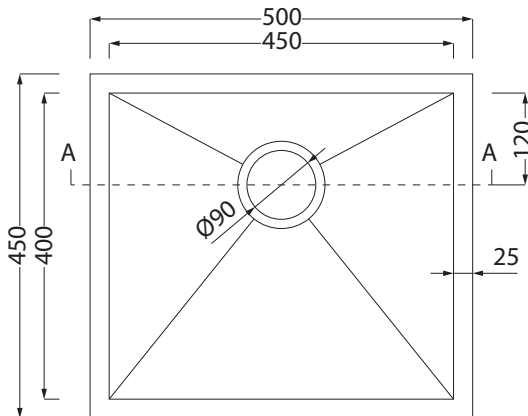
5045



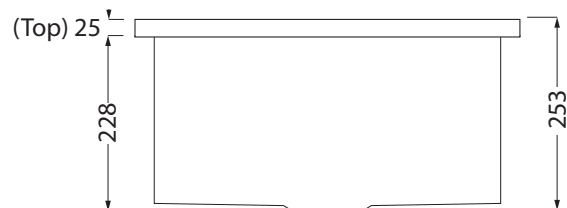
Sink Dimensions	W 500	x H 228	x D 450	(mm)
Inset Dimensions	W 450	x H 253	x D 400	(mm)
Water Capacity	36L (to overflow) 43L (to top)			
Finish	Stainless Steel			
Material	Stainless Steel 304			
Waste	Basket Waste Included			
Sink Type	Inset laundry sink			
Features	<ul style="list-style-type: none"> • Stainless sink is undermounted to Kordura top. • Our high-grade Stainless Steel laundry sinks are durable, water, heat, and stain resistant. Easy care and very hygienic. • Not compatible with 450 Laundry Cabinets or Accessory Cabinets. 			

TECHNICAL DRAWINGS

Top Down



Side Section (Inset)



NOTES

Not sold separately. Tapware & accessories not included. Drawing indicates the technical measurement only and is not a reflection of how the product will look. Sizes are nominal only. All drawings in millimeters. Drawings not to scale. October 2024.