

DESCRIPTION

Laundry Wall Support Bracket

PRODUCT CODE

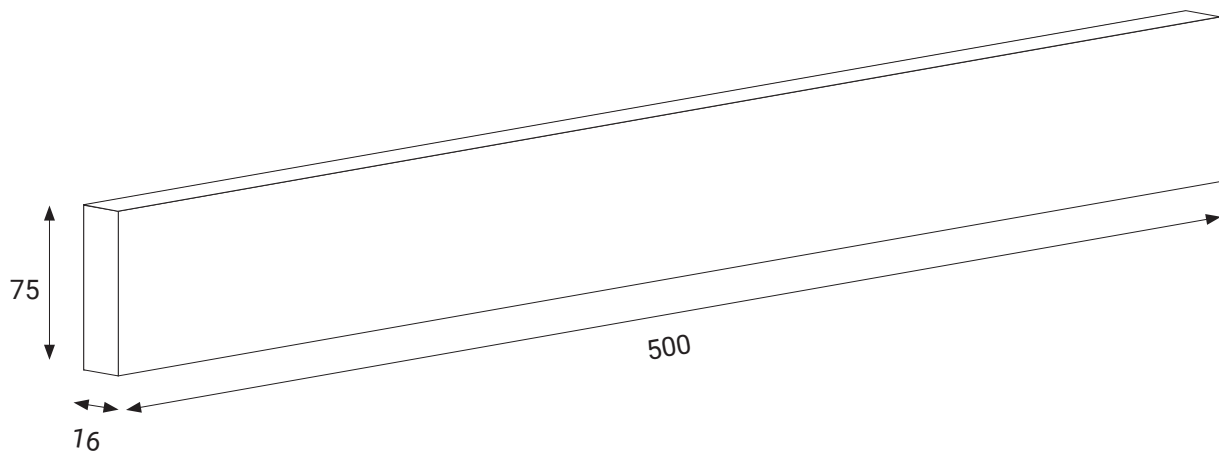
LES



FEATURES

- Dimensions - W 500 x H 75 x D 16 mm
- Support your Kordura laundry top with a wall support bracket – a baton that is attached to the wall and runs along the back edge of the laundry top.

TECHNICAL DRAWINGS



NOTES

See our website for product prices. Drawing indicates the technical measurement only and is not a reflection of how the product will look. Sizes are nominal only. All drawings in millimeters. Drawings not to scale. June 2023.