

DESCRIPTION

Twenty 810 Wall Hung, 2 Drawers, White /Timber Veneer

PRODUCT CODE

TW81D2WH /TW81D2WHT

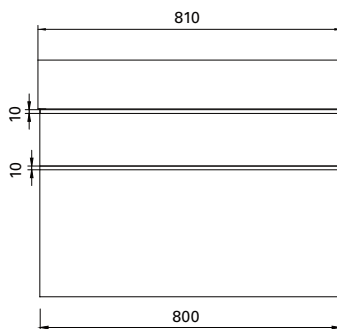


FEATURES

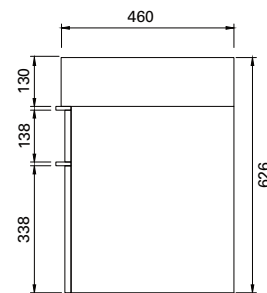
- Dimensions- W 810 x H 626 x D 460 mm
- Italian-made, ceramic top with four bowl options – centre (CN), total (TL), left (LH) and right (RH).
- Vanity available painted White, in Timber Veneer*, or in your choice of paint colour^.
- Handles available in White Oak, Natural Oak or Dark Oak timber veneer finishes.
- The paint used on our products is polyurethane or UV based. It is five times harder and more durable than lacquer finishes.
- Timber veneer finishes are 100% natural, so each have variations in grain and colour. All come stained and sealed with a protective UV finish.

TECHNICAL DRAWINGS

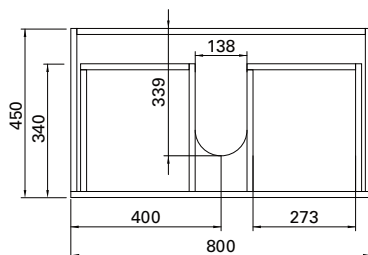
Front



Side



Top



NOTES

*Non-stock item. ^15% surcharge applies on Custom Paint Colours, 25% for metallic and black gloss. *20% surcharge applies on Gloss Timber Veneer finish. When using a hidden bottle trap, we recommend 40551-32. Drawing indicates the technical measurement only and is not a reflection of how the product will look. Sizes are nominal only. All drawings in millimeters. August 2019.

DESCRIPTION

Twenty Vanity Top 810, Total Bowl (TL)

PRODUCT CODE

TW05011

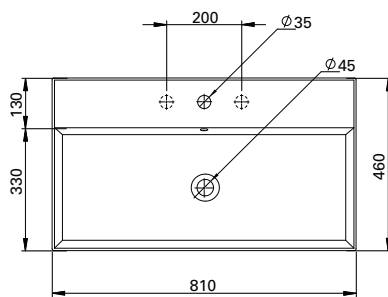


FEATURES

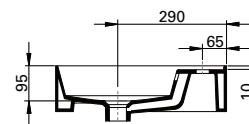
- Dimensions - W810 x H150 x D460mm
- Italian-made, ceramic top with total bowl (TL).
- Match it with Twenty Vanity 810mm or can be sold separately as a wall-hung basin.
- For matching with Twenty Vanity – Add the (code) at the end of the vanity code to specify basin orientation. E.g. TW81D2WHTL.
- Other bowl options also available in centre (CN), right (RH) and left (LH).

TECHNICAL DRAWINGS

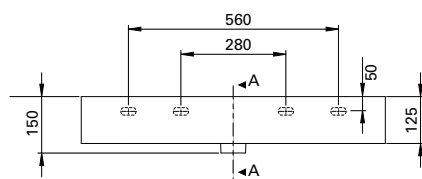
Top



Side



Front



NOTES

Drawing indicates the technical measurement only and is not a reflection of how the unit will look. Sizes are nominal only. All drawings in millimeters.

DESCRIPTION

Twenty Vanity Top 810, Central Bowl (CN)

PRODUCT CODE

TW06011

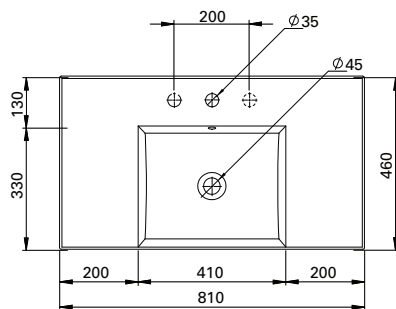


FEATURES

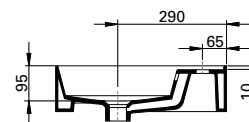
- Dimensions - W810 x H150 x D460mm
- Italian-made, ceramic top with central bowl (CN).
- Match it with Twenty Vanity 810mm or can be sold separately as a wall-hung basin.
- For matching with Twenty Vanity – Add the (code) at the end of the vanity code to specify basin orientation. E.g. TW81D2WH**CN**.
- Other bowl options also available in total (TL), right (RH) and left (LH).

TECHNICAL DRAWINGS

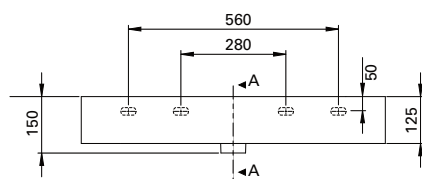
Top



Side



Front



NOTES

Drawing indicates the technical measurement only and is not a reflection of how the unit will look. Sizes are nominal only. All drawings in millimeters.

DESCRIPTION

Twenty Vanity Top 810, Right Bowl (RH)

PRODUCT CODE

TW07011

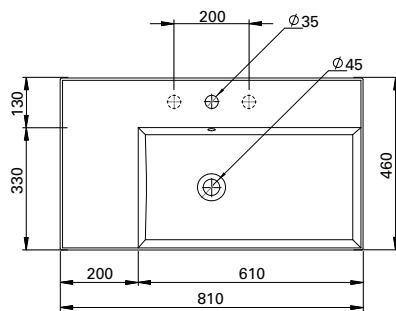


FEATURES

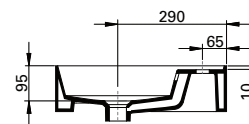
- Dimensions - W810 x H150 x D460mm
- Italian-made, ceramic top with right bowl (RH).
- Match it with Twenty Vanity 810mm or can be sold separately as a wall-hung basin.
- For matching with Twenty Vanity – Add the (code) at the end of the vanity code to specify basin orientation. E.g. TW81D2WH**RH**.
- Other bowl options also available in total (TL), centre (CN) and left (LH).

TECHNICAL DRAWINGS

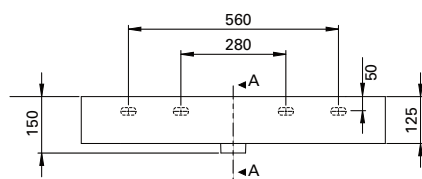
Top



Side



Front



NOTES

Drawing indicates the technical measurement only and is not a reflection of how the unit will look. Sizes are nominal only. All drawings in millimeters.

DESCRIPTION

Twenty Vanity Top 810, Left Bowl (LH)

PRODUCT CODE

TW08011

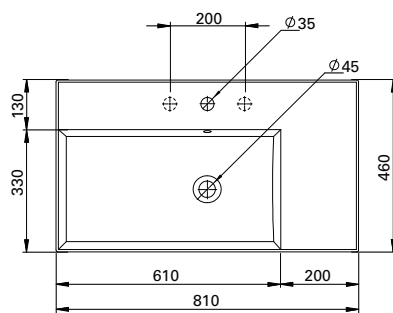


FEATURES

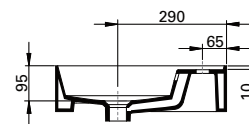
- Dimensions - W810 x H150 x D460mm
- Italian-made, ceramic top with left bowl (LH).
- Match it with Twenty Vanity 810mm or can be sold separately as a wall-hung basin.
- For matching with Twenty Vanity – Add the (code) at the end of the vanity code to specify basin orientation. E.g. TW81D2WHLH.
- Other bowl options also available in total (TL), centre (CN) and right (RH).

TECHNICAL DRAWINGS

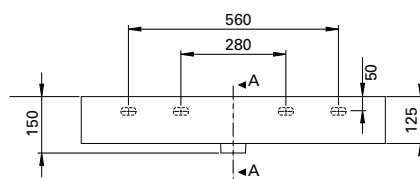
Top



Side



Front



NOTES

Drawing indicates the technical measurement only and is not a reflection of how the unit will look. Sizes are nominal only. All drawings in millimeters.