

TABLO PLUS /

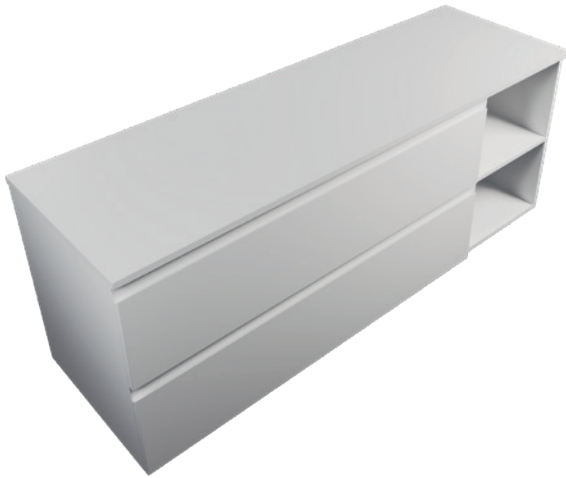
Michel César

DESCRIPTION

Tablo Plus 1600, 2 Drawers, Open Shelves (Left or Right), Wall-Hung Vanity

PRODUCT CODE

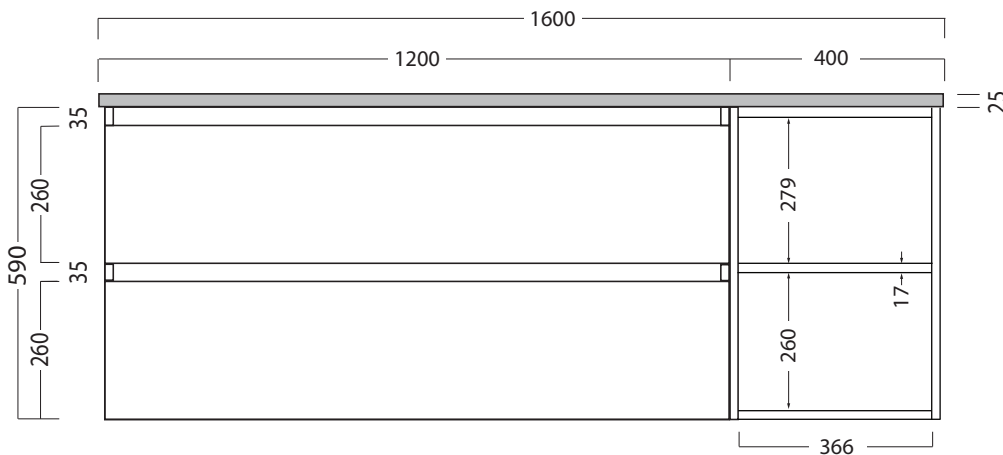
TB1600D2MSWH



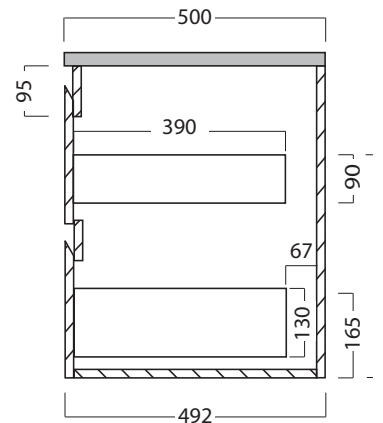
Dimensions	W 1600 x H 615 x D 500 (mm)
Finishes	Timber Veneer, Custom Colour Paint (or 50/50)
Kordura	Standard (White) or Colour* (Carrara Marble, Ariston, Ice Crystal, Peak Stone, Akashi Grey or Black Granite)
Handle	45° Handleless Design
Origin	New Zealand made cabinetry
Features	The paint used on our products is polyurethane or UV based. Harder and more durable than lacquer finishes. Timber Veneer finishes are 100% natural, with variations in grain and colour. All come stained and sealed with a protective UV finish. See website for all finish and basin options.

TECHNICAL DRAWINGS

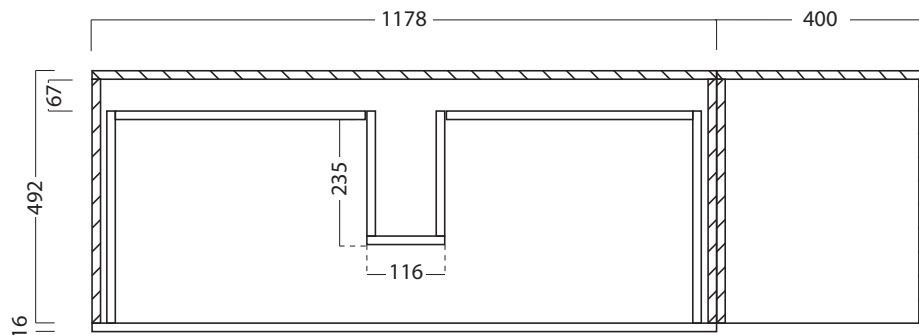
Front



Side



Top Down



NOTES

*Additional Cost. Kordura top (H 25mm), tapholes not pre-drilled - this is the responsibility of the installer, and can be cut with a hole saw, jigsaw or router. Inset and Glory Undermount Basins not compatible with 1580 vanity. Accessories not included. Drawing indicates the technical measurement only and is not a reflection of how the product will look. Sizes are nominal only. All drawings in millimeters. Drawings not to scale. Feb 2025.