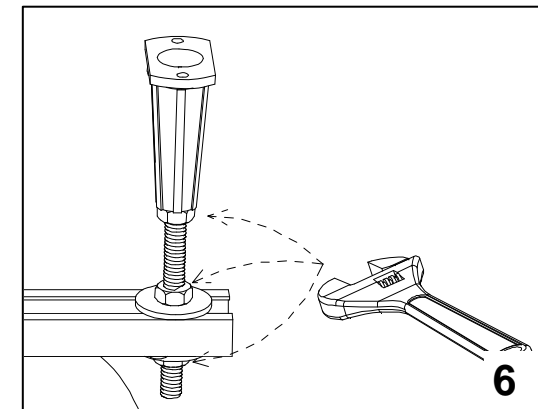
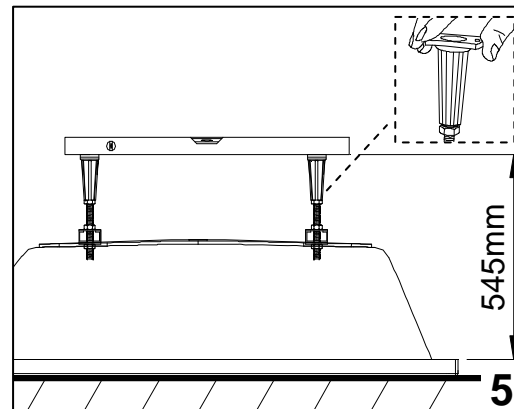
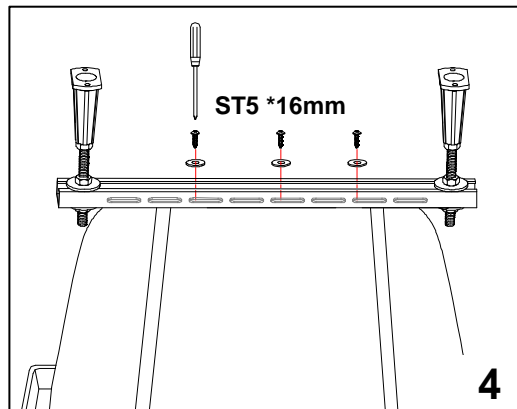
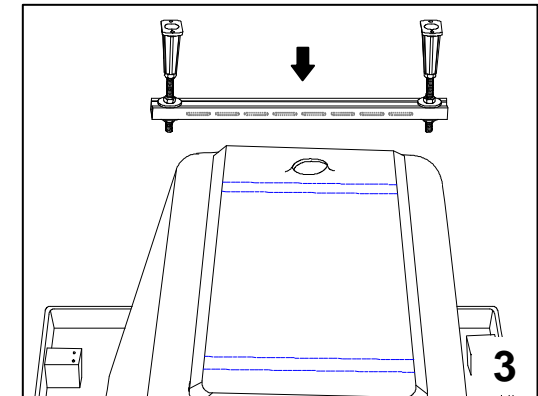
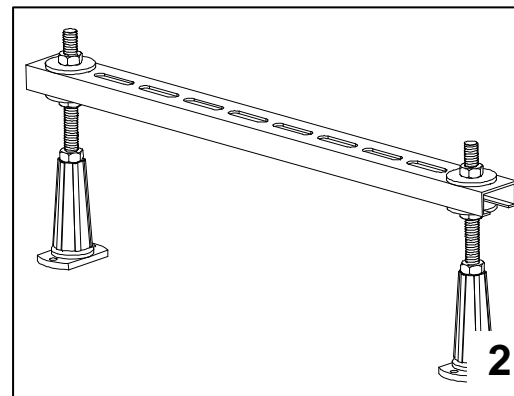
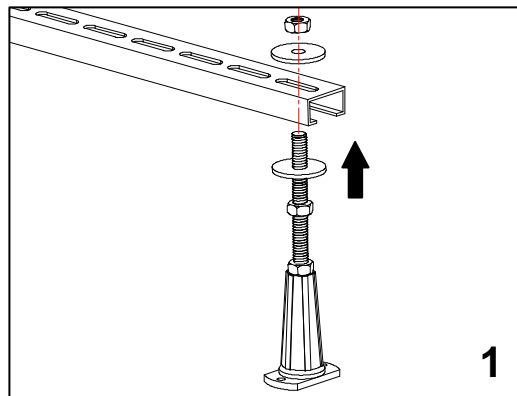
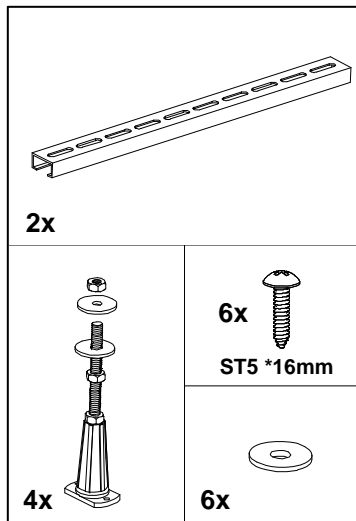
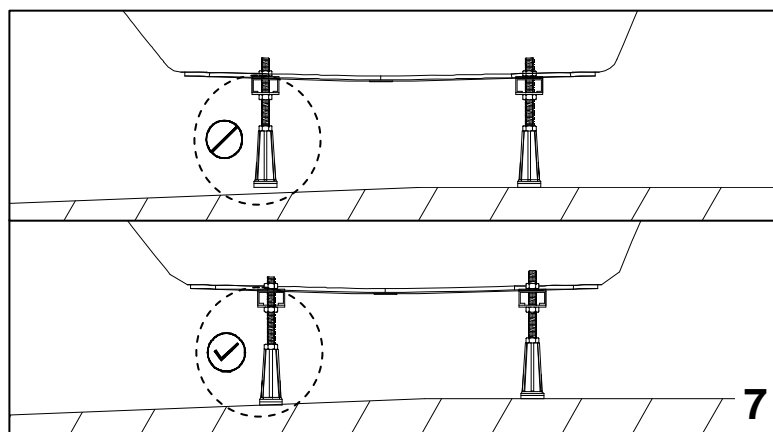


# UNIVERSAL LEG SET - INSTALLATION INSTRUCTIONS

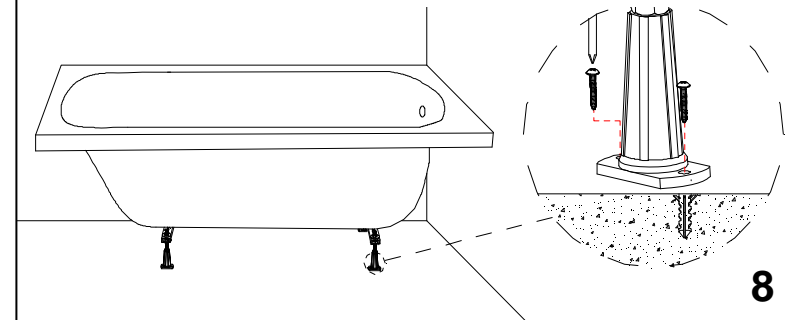


## NOTES

- Assemble the bath on a mat to protect the bath surface from damage or scratching
- These installation instructions do not include the waste, tap or any other items. Such items should be installed by a suitably qualified person.
- Follow each step in turn.
- Fit horizontal batten before securing bath to the floor (see page 3)

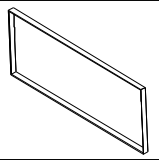




- It is essential that once the bath is in its final position the bath legs be firmly fixed to and secured to the floor using fixings appropriate for the type of floor surface ( such fixing not included )





# ACRYLIC BATH PANEL INSTALLATION INSTRUCTIONS

**FRONT PANEL**


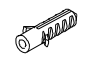
1x 

ST4 \*20mm  4x 

8x

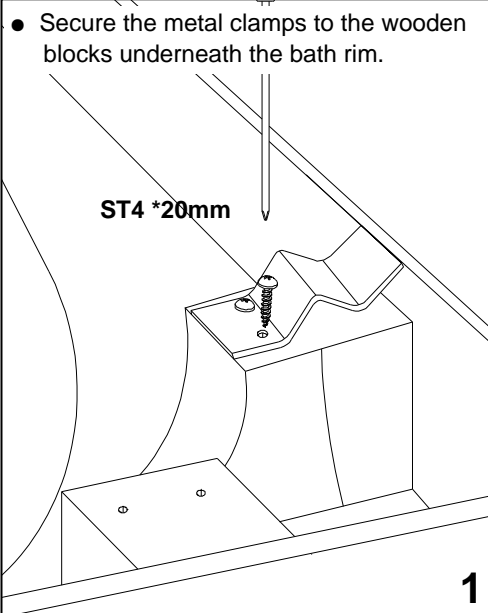
ST4 \*25mm  2x 

2x

 2x 

2x

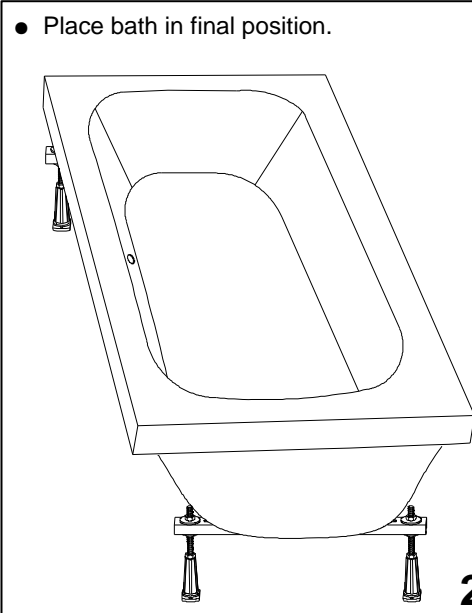
● Secure the metal clamps to the wooden blocks underneath the bath rim.



ST4 \*20mm

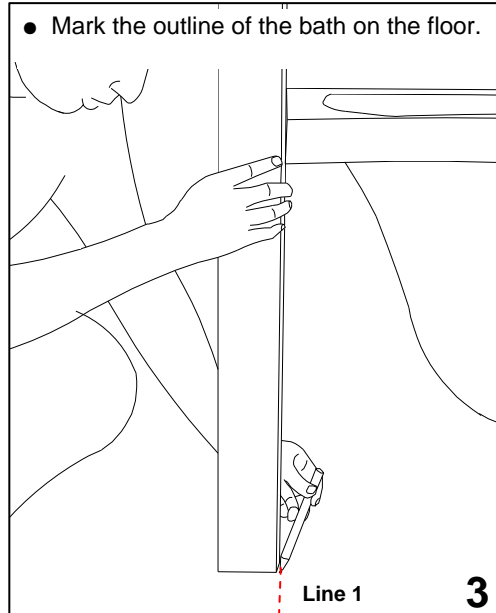
**1**

● Place bath in final position.



**2**

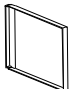
● Mark the outline of the bath on the floor.





Line 1



**3**

**END PANEL**



1x 

ST4 \*20mm  4x 

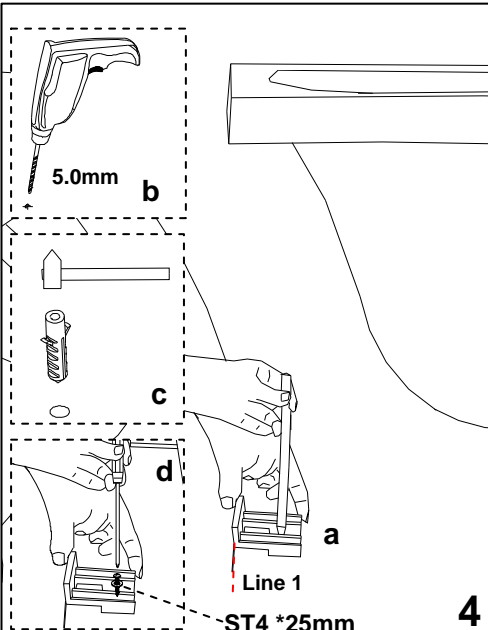
4x

ST4 \*25mm  2x 

2x

 2x 

2x



5.0mm

b

c

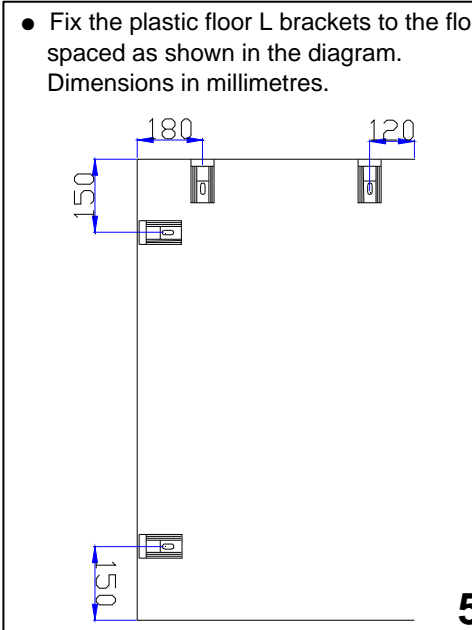
d

Line 1

ST4 \*25mm

**4**

● Fix the plastic floor L brackets to the floor spaced as shown in the diagram. Dimensions in millimetres.



180

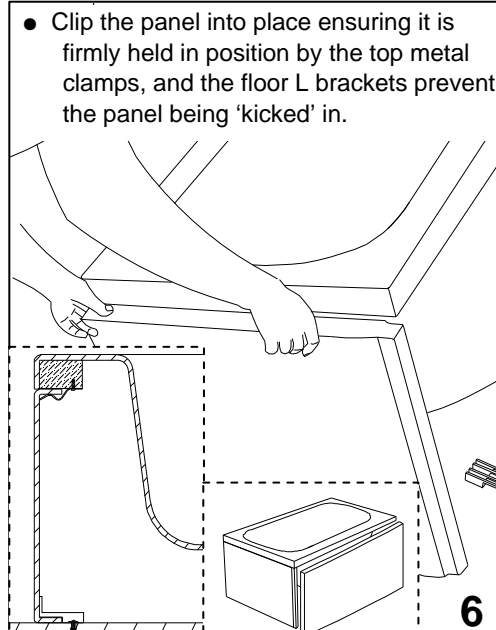
120

150

150

**5**

● Clip the panel into place ensuring it is firmly held in position by the top metal clamps, and the floor L brackets prevent the panel being 'kicked' in.

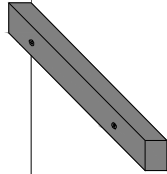


**6**

## RECOMMENDED METHOD FOR INSTALLATION OF ACRYLIC BATHS

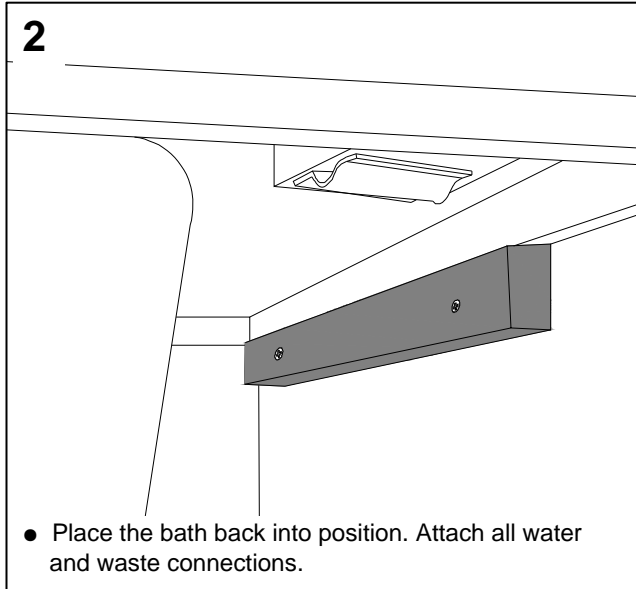
- Place the bath in position to determine height, water and soil requirements.

1



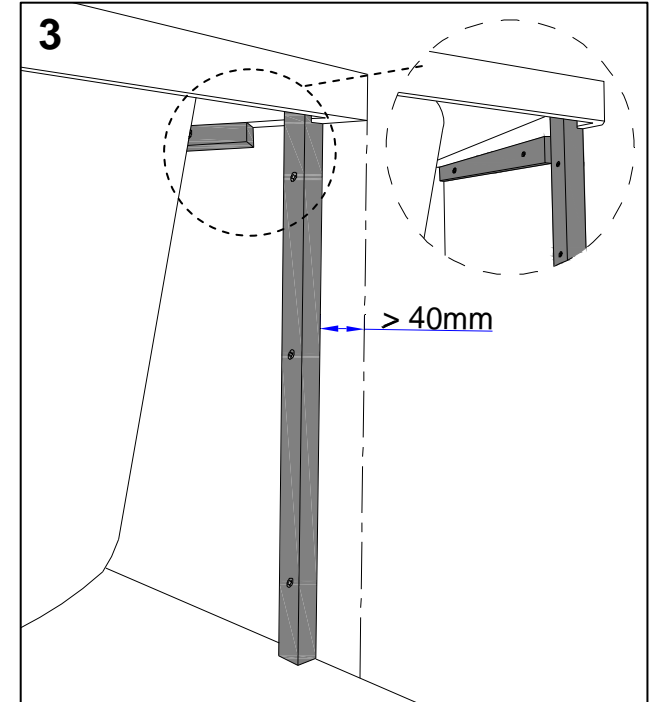
- Screw a batten of 2" by 1" treated timber to the wall horizontally to support the bath rim. This ensures that the bath will remain stable and the rim cannot flex.

2



- Place the bath back into position. Attach all water and waste connections.

3

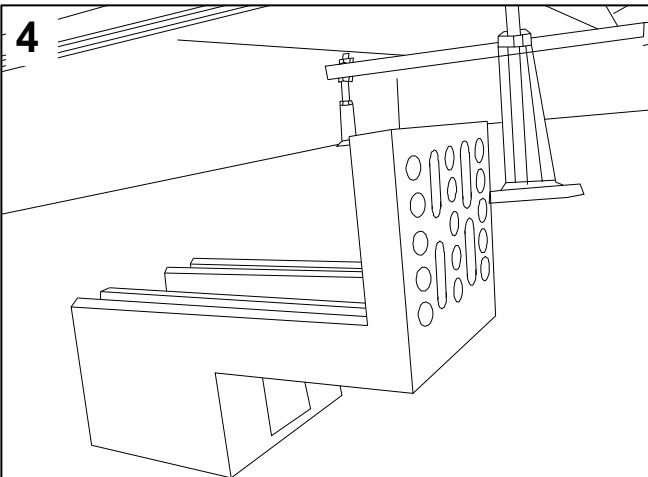


- Screw another 2" by 1" treated timber batten vertically onto the wall, clamping the bath to the wall. This batten should be at least 40mm in from the corner of the bath. This batten will provide additional rim support. This should be done on both corners to securely hold the bath in place.

'Acrylic baths will flex when filled with water, so it is important that your bath is installed to allow for some movement.'

The weight of the bath should be taken by the feet and not battens. Battens are a good way of supporting the rim of a bath, but can cause stress points. They should not be physically attached to the blocks underneath the bath, and ideally there should be a small gap between the blocks and battens.'

4



- When installing the bath panels, remember to install the floor fixed L brackets so as to prevent the bottom of the panel being 'kicked' in. See section 4, 5 and 6 on previous page.

