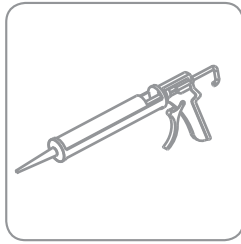
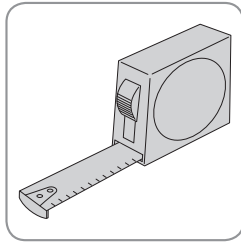
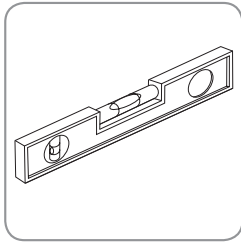
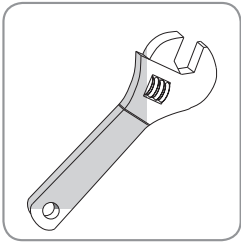


INSTRUCTION MANUAL

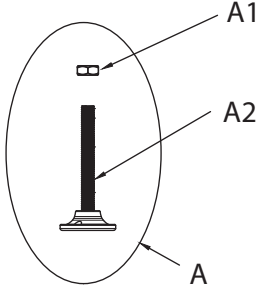
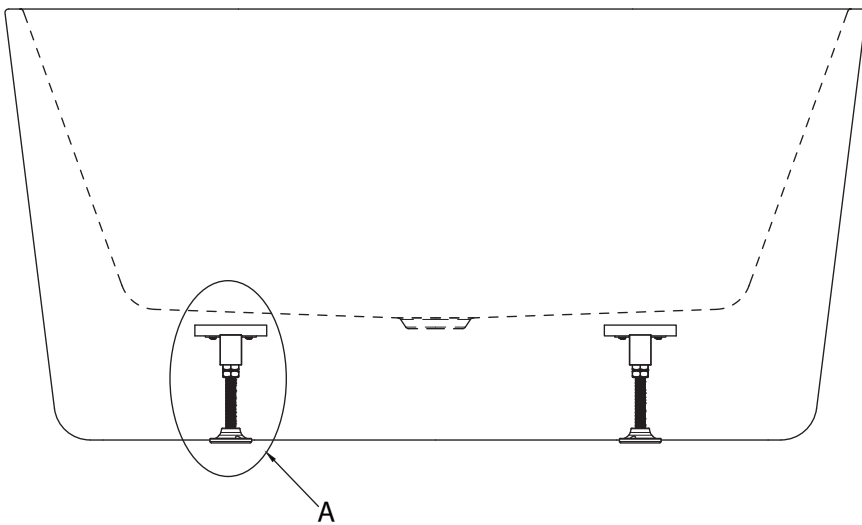


FREESTANDING BATHTUB

TOOLS AND MATERIALS REQUIRED

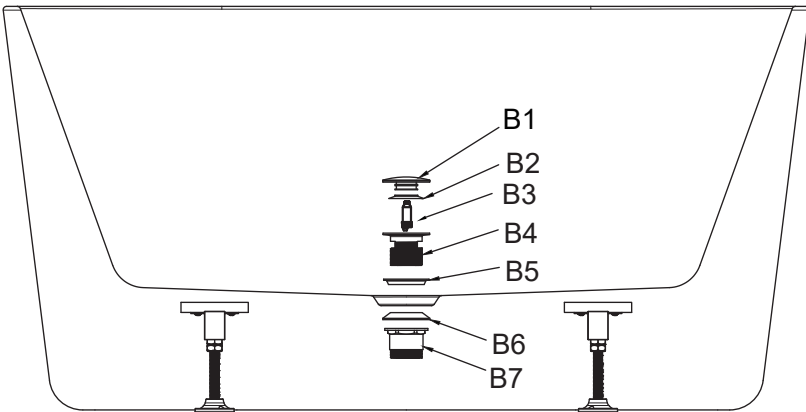


Adjustable Feet



No.	PARTS	Artical No.
A1	M12*2 NUT	02.LM-WLJLM-M12-175
A2	M12 Bathtub's foot	02.TJLG.M12-70

Drain Parts



No.	PARTS	Artikkel no.
B1	D9 Drain cover	03.DYG.D9-1
B2	D9 Drain cover seal ring	03.D9-2
B3	D9 Bouncing core	03.D9-3
B4	D9 Drain head	03.D9-4
B5	D9 Upper seal ring of drain head	03.D9-5
B6	D9 Lower seal ring of drain head	03.D9-6
B7	D9 Drain Sleeve	03.D9-7



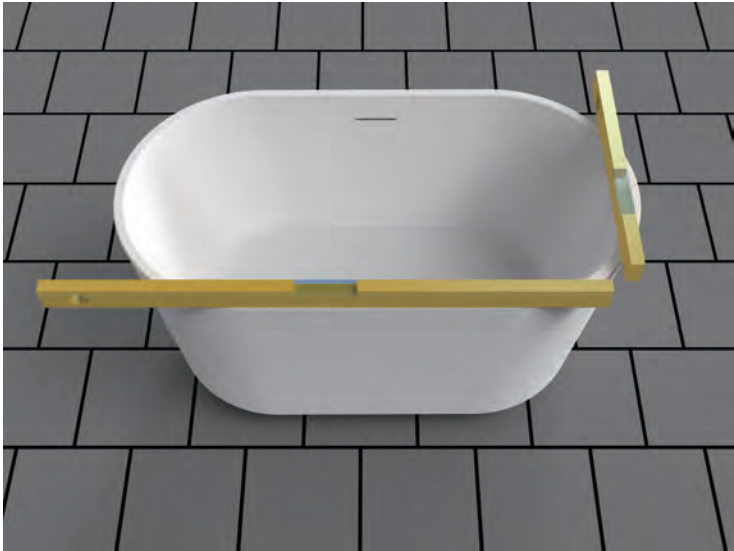
Inspect the bathtub for damage before installation

INSTALLATION

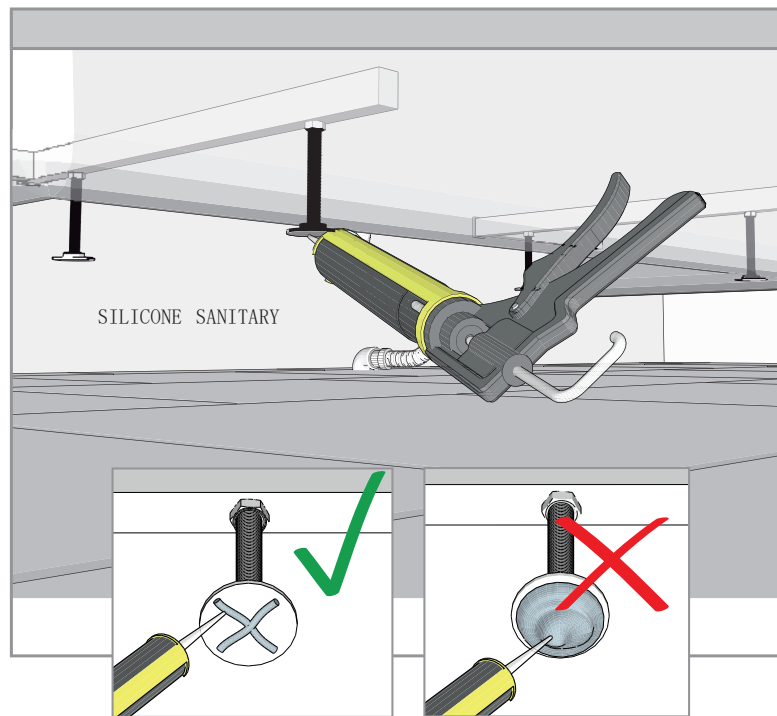
Step 1



Step 2

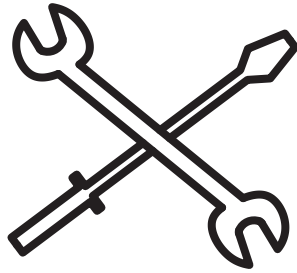


Step 3



Step 4





The bathtub is made of acryl and can be cleaned with a damp cloth and water with a mild detergent. Household detergents with aggressive, chlorinated and/or abrasive constituents may not be used because this will damage the surface of the bathtub. Limescale can best be removed with a product based on citric acid. However, never use acetic acid, the acryl surface material will be irreversible damaged.