

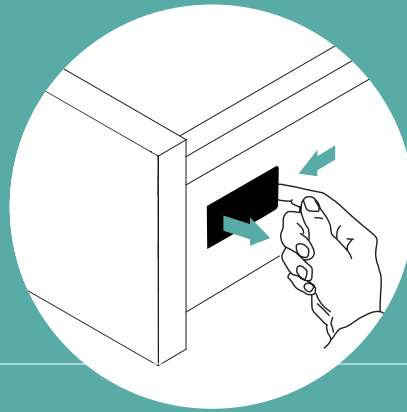
BATH/
CO/

/HARN DRAWER RUNNER INSTRUCTIONS

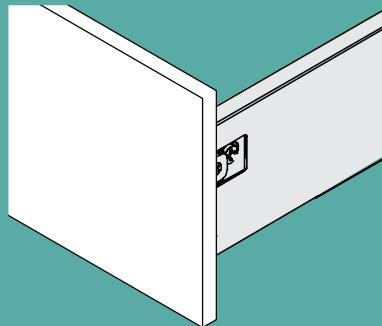


How to Identify Your Drawer Style?

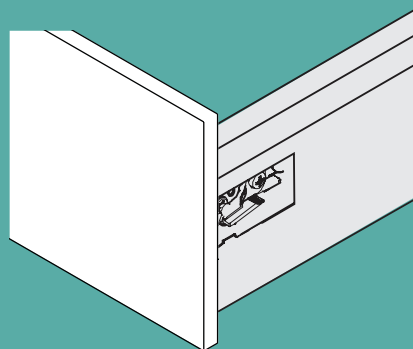
Unclip cover to see which mechanism underneath to match to corresponding diagram below.



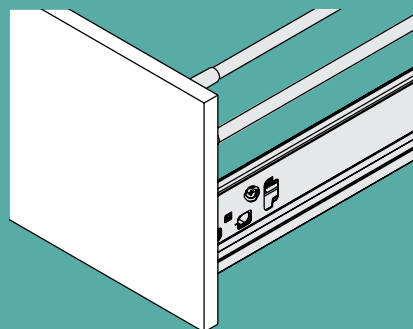
Magic Box



Harn Drawers

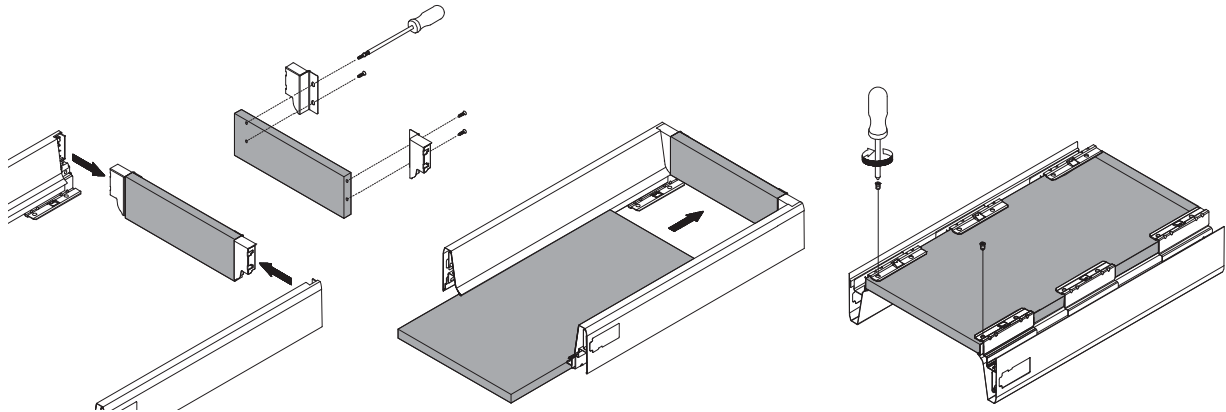


DTC Drawers



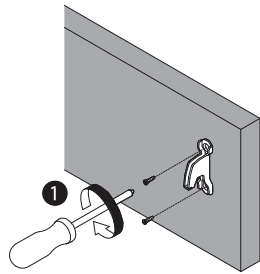
HARN DRAWER ASSEMBLY

Drawer S Assembly – Wooden Back

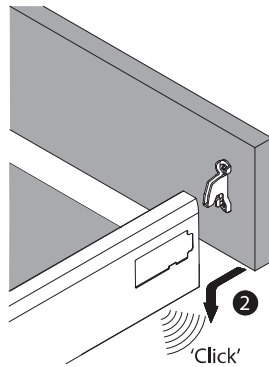


Drawer Front Assembly & Removal

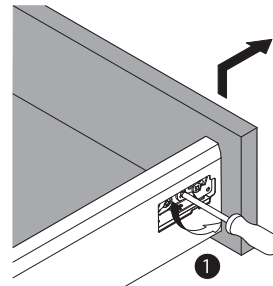
Screw-on



Assembly

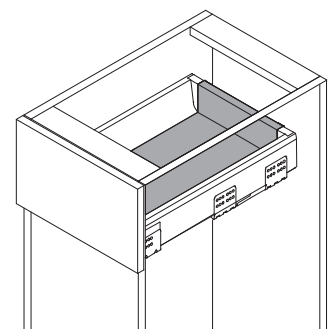
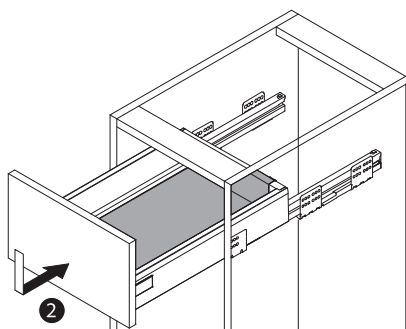
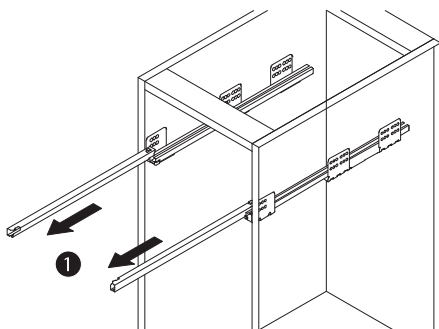


'Click'



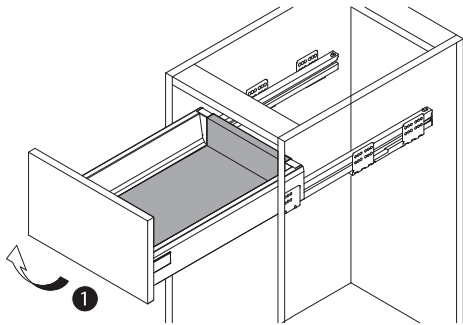
Removal

Drawer Insertion



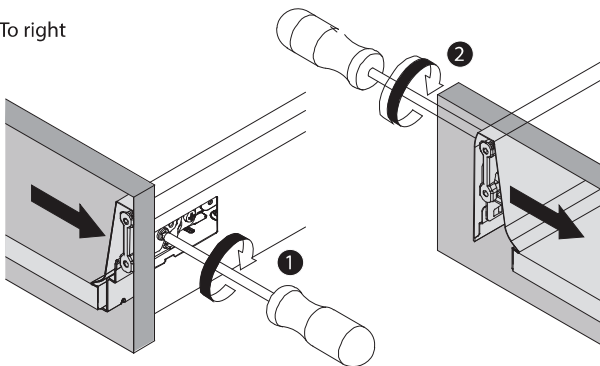
HARN DRAWER REMOVAL & ADJUSTMENT

Drawer Removal



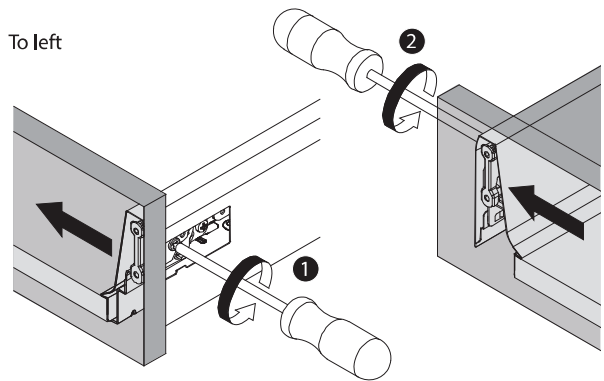
Drawer Front – Side Adjustment

To right



Adjustable by 1.25mm to the right

To left



Adjustable by 1.25mm to the left

Drawer Front – Height Adjustment

